



**Galaxy - GL24B7 - 031636 - No**  
 (Family) (Model) (Part #) (In Stock)

## Electrical Specifications

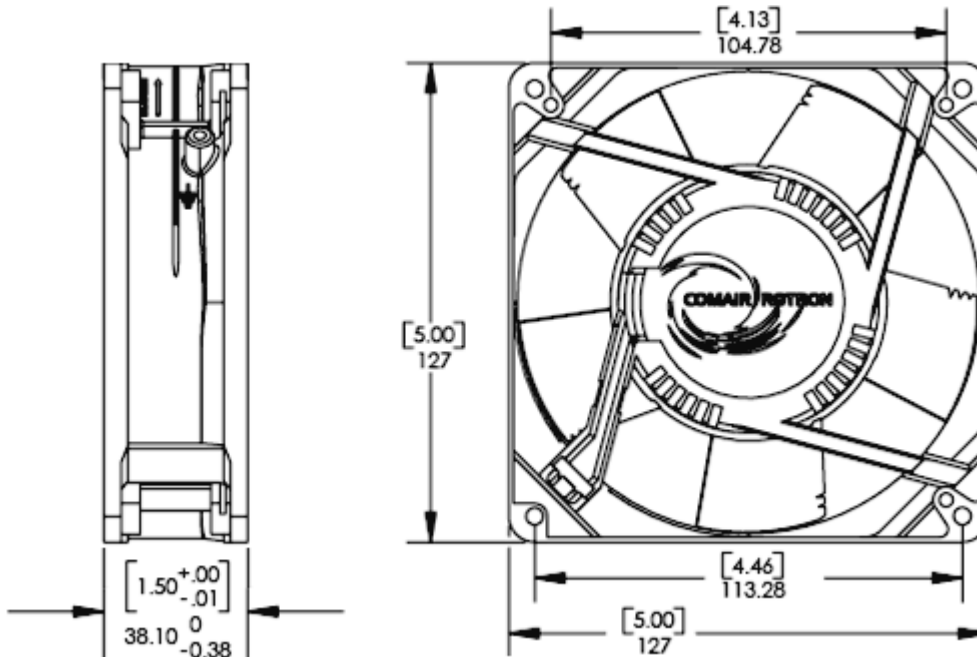
Operating Voltage:	24 Volts
Voltage Range:	12 - 28 Volts
Power Supply:	15.0 Watts
Line Current:	0.63 Amps
Locked Rotor Current	1.35 Amps
Nominal Speed:	3200 RPM

## Mechanical Specifications

Dimensions:	5.0 x 5.0 x 1.5 in
Weight	21.87 oz
Max Airflow @ 0 in H <sub>2</sub> O	150.0 CFM
Max Pressure @ 0 CFM	0.486 in H <sub>2</sub> O
Noise	53.6 dBA



## Mechanical Drawing



Comair Rotron, Inc.  
 Phone: 619.651.2000  
 sales@comairrotron.com

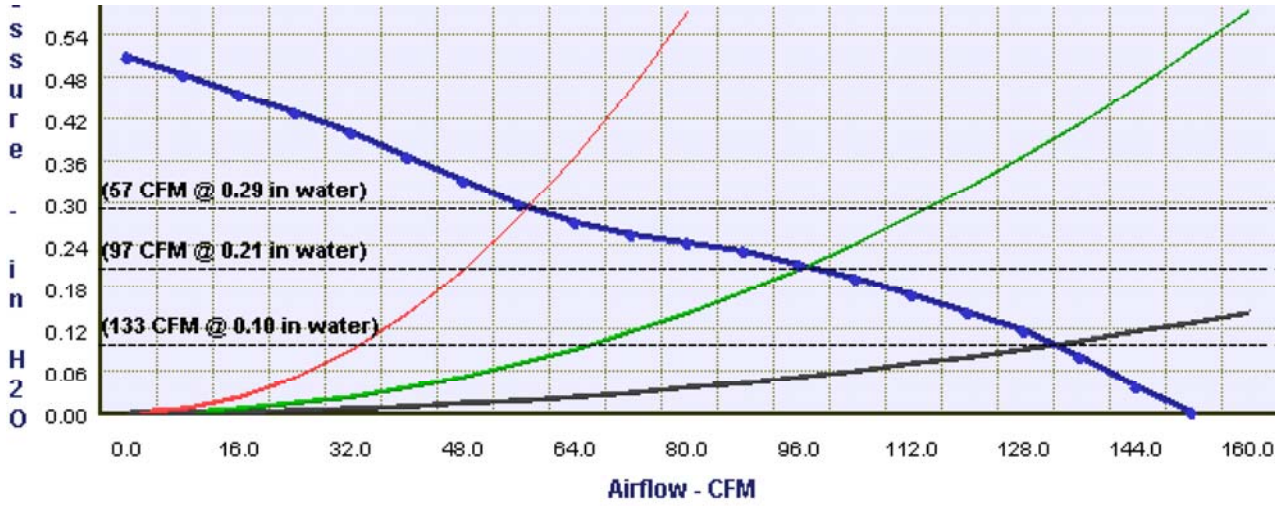
Comair Rotron Europe, Ltd.  
 Phone: +44.1527.520525  
 saleseurope@comairrotron.com

Comair Rotron Fan Company Ltd.  
 Phone: +86.21.52260581  
 salesasia@comairrotron.com

Print Date: Wednesday, May 12, 2010 at 08:50:02 - DC Fan Datasheet - Web Version 1.0 Rev. B



## Fan Performance Curve



## Fan Configuration Options

**Galaxy** (Family)    **GL24B7** (Model)    /    **031636** (Part #)    **No** (In Stock)    305 mm [12 inch] Leads (Features)

Fan Speed: 3200 RPM    Fan Bearings: Ball Bearings  
 Fan Airflow Direction: Flow R (CCW Rotation)    Fan Termination: Leads

Fan Monitoring Options: TTL (+5V) Tachometer Output

Fan Speed Control Option: No ThermaPro-V Fan Speed Control Options Selected

Environmental Protection Options: No Enviroshield Options Selected

Comair Rotron, Inc.  
 Phone: 619.651.2000  
 sales@comairrotron.com

Comair Rotron Europe, Ltd.  
 Phone: +44.1527.520525  
 sales europe@comairrotron.com

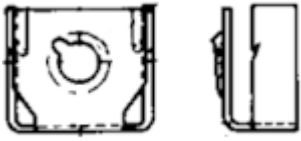
Comair Rotron Fan Company Ltd.  
 Phone: +86.21.52260581  
 salesasia@comairrotron.com

Print Date: Wednesday, May 12, 2010 at 08:50:02 - DC Fan Datasheet - Web Version 1.0 Rev. B



## Accessories [\(Click on part number for detailed drawing.\)](#)

**550113**  
**Mounting Clip**



**557216**  
**Finger Guard**



**550651**  
**Finger Guard**



**Comair Rotron, Inc.**  
Phone: 619.651.2000  
sales@comairrotron.com

**Comair Rotron Europe, Ltd.**  
Phone: +44.1527.520525  
saleseurope@comairrotron.com

**Comair Rotron Fan Company Ltd.**  
Phone: +86.21.52260581  
salesasia@comairrotron.com

Print Date: Wednesday, May 12, 2010 at 08:50:02 - DC Fan Datasheet - Web Version 1.0 Rev. B