



**Whiffet - WT24M3 - 031104 - No**  
 (Family) (Model) (Part #) (In Stock)

## Electrical Specifications

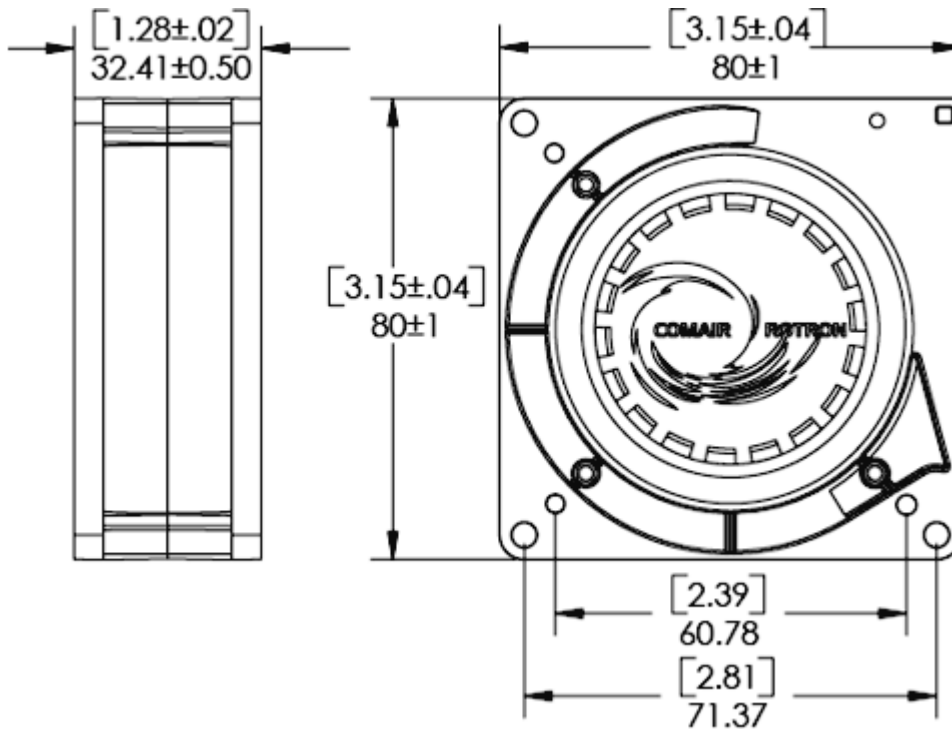
Operating Voltage:	24 Volts
Voltage Range:	12 - 28 Volts
Power Supply:	1.4 Watts
Line Current:	0.06 Amps
Locked Rotor Current	0.20 Amps
Nominal Speed:	2500 RPM

## Mechanical Specifications

Dimensions:	3.1 x 3.1 x 1.3 in
Weight	5.9 oz
Max Airflow @ 0 in H <sub>2</sub> O	8.7 CFM
Max Pressure @ 0 CFM	0.160 in H <sub>2</sub> O
Noise	36.0 dBA



## Mechanical Drawing



Comair Rotron, Inc.  
 Phone: 619.651.2000  
[sales@comairrotron.com](mailto:sales@comairrotron.com)

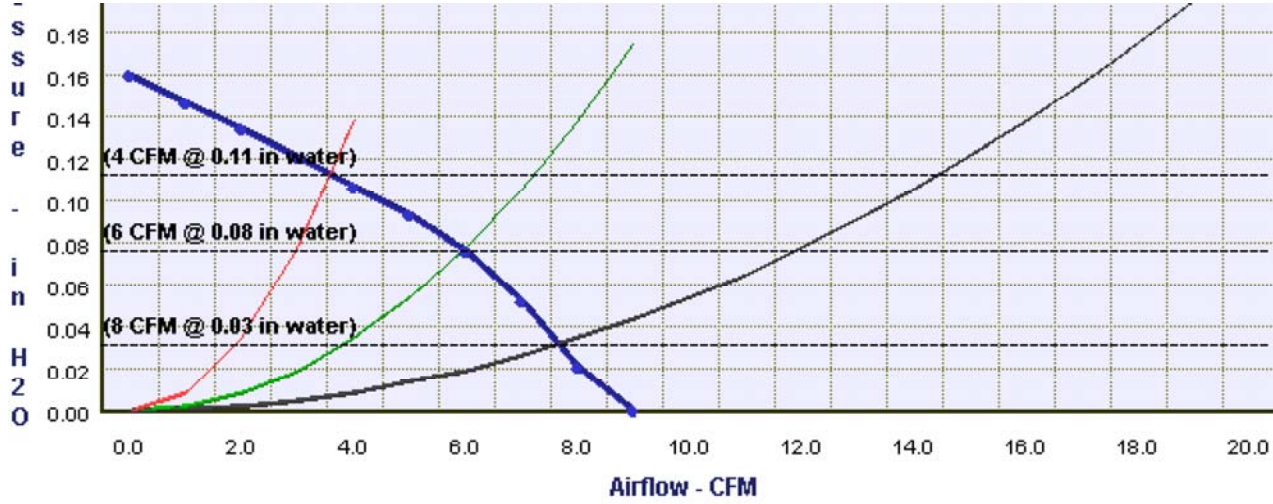
Comair Rotron Europe, Ltd.  
 Phone: +44.1527.520525  
[saleseurope@comairrotron.com](mailto:saleseurope@comairrotron.com)

Comair Rotron Fan Company Ltd.  
 Phone: +86.21.52260581  
[salesasia@comairrotron.com](mailto:salesasia@comairrotron.com)

Print Date: Thursday, April 8, 2010 at 13:00:24 - DC Blower Datasheet - Web Version 1.0 Rev. B



## Blower Performance Curve



## Blower Configuration Options

**Whiffet** (Family)    **WT24M3** (Model)    /    **031104** (Part #)    **No** (In Stock)    305 mm [12 inch] Leads (Features)

**Blower Speed:** 2500 RPM    **Blower Bearings:** Ball Bearings  
**Blower Airflow Direction:** Flow R (CCW Rotation)    **Blower Termination:** Leads

**Blower Monitoring Options:** No Blower Monitoring Options Selected

**Blower Speed Control Option:** No ThermaPro-V Blower Speed Control Options Selected

**Environmental Protection Options:** No Enviroshield Options Selected

Comair Rotron, Inc.  
 Phone: 619.651.2000  
 sales@comairrotron.com

Comair Rotron Europe, Ltd.  
 Phone: +44.1527.520525  
 saleseurope@comairrotron.com

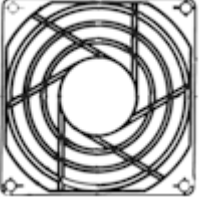
Comair Rotron Fan Company Ltd.  
 Phone: +86.21.52260581  
 salesasia@comairrotron.com

Print Date: Thursday, April 8, 2010 at 13:00:24 - DC Blower Datasheet - Web Version 1.0 Rev. B



## Accessories [\(Click on part number for detailed drawing.\)](#)

- 550648**  
**Finger Guard**



- 476143**  
**Finger Guard**



**Comair Rotron, Inc.**  
Phone: 619.651.2000  
sales@comairrotron.com

**Comair Rotron Europe, Ltd.**  
Phone: +44.1527.520525  
saleseurope@comairrotron.com

**Comair Rotron Fan Company Ltd.**  
Phone: +86.21.52260581  
salesasia@comairrotron.com

Print Date: Thursday, April 8, 2010 at 13:00:24 - DC Blower Datasheet - Web Version 1.0 Rev. B