

# W1G200 Series

Axial

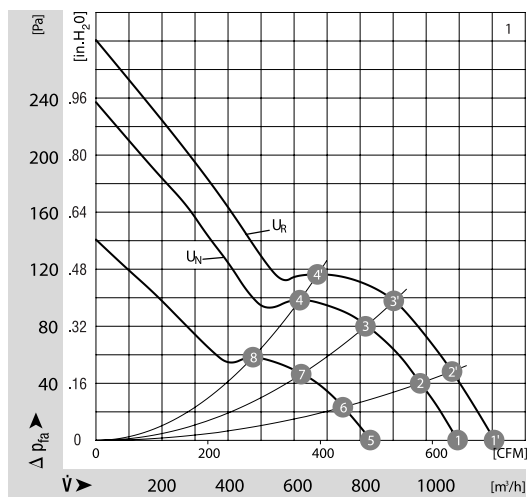
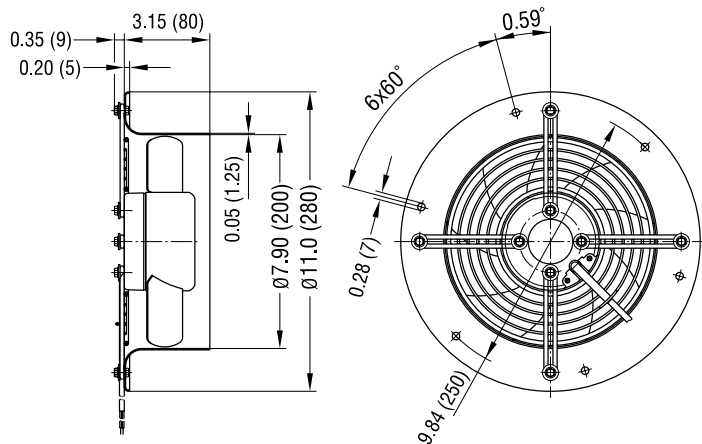
## Ø 200mm S-Range



- DC axial fans have least power consumption blowing at free air. As the back pressure increases, the power consumption increases. The combination of impeller and external-rotor motor provides an optimal aerodynamic solution.
- Individual sickle blades made of sheet steel are welded onto the external-rotor motor and dynamically balanced.
- Integrated electronics, reverse polarity and locked-rotor protection.
- Direction of rotation is CCW looking at rotor.
- Mounting plate with 7 mm holes. Ready to install.
- UL, CSA, VDE approvals on some models, please contact application engineering.

Part Number	CFM @ 0	VDC	Volt. Range	Power (kW)	dBa	Max. Amb. Temp C	Bearing Type	Features	Grill Position	Wgt. (lbs)
W1G200-CH77-52	641.6	24	16 to 28	55	60	60	Ball	Leads	Dischg	3.31
W1G200-CI77-52	641.6	24	16 to 28	55	60	60	Ball	Leads	Inlet	3.31
W1G200-CH01-52	591.5	48	36 to 57	45	60	60	Ball	Leads	Dischg	3.31
W1G200-CI01-52	591.5	48	36 to 57	45	60	60	Ball	Leads	Inlet	3.31

	n [RPM]	P <sub>1</sub> [W]	n <sub>HL</sub> [%]	Lp <sub>A</sub> [dBA]		n [RPM]	P <sub>1</sub> [W]	n <sub>HL</sub> [%]	Lp <sub>A</sub> [dBA]
1	① 2300	73	---	63	1	⑤ 2270	27	---	55
1	② 2970	77	67	62	1	⑥ 2230	28	67	54
1	③ 3100	80	64	63	1	⑦ 2170	29	64	54
1	④ 2970	80	54	66	1	⑧ 2130	30	54	57
1	① 2950	55	---	60					
1	② 2890	58	67	60					
1	③ 2800	61	64	61					
1	④ 2780	63	54	64					



**ebmpapst**

e-mail: [sales@us.ebmpapst.com](mailto:sales@us.ebmpapst.com) · TEL: 860-674-1515 · FAX: 860-674-8536

ebm-papst Inc., 100 Hyde Road, Farmington, CT 06034 USA

ebm-papst Inc., 2006 © ebm-papst Inc. reserves the right to change any specifications or data without notice