

A1G280 Series

Axial

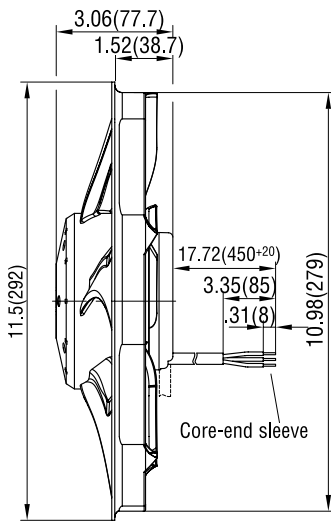


Ø 280mm

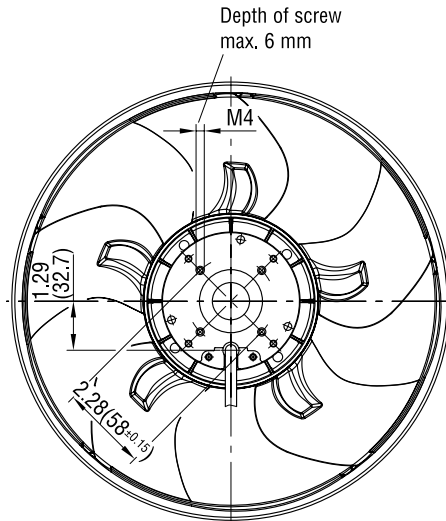
- Material: impeller made of plastic PA/SPS, color black
- Bearings: Maintenance-free ball bearings
- Cable exit: variable
- Technical features: control input 0-10 VDC / PWM, tach output
- Mounting position / condensate discharges: norm is rotor down with condensate discharges
- Motor protection: reverse battery and locked-rotor protection
- Insulation class: "B" according to EN 60335-1
- Direction of air flow: "V"
- Direction of rotation: clockwise as seen on rotor side

Part Number	Curve	CFM @ D	VDC	Volt. Range	Power (W)	dBA	Max. Amb. Temp. C	Bearing Type	Speed (RPM)	Wgt. (lbs)
A1G280-AA79-11 ⁽¹⁾	1	1065	13.2	8-16	90	63	60	Ball	2350	3.53

⁽¹⁾12-V variant subject to alterations



"V" >



Pin configuration
 UB red
 Lin/PW yellow
 GND blue

	n [RPM]	P _i [W]	L _{pA} [dBA]
① ①	2350	90	63
① ②	2330	89	63
① ③	2360	88	67
① ④	2340	90	69

Curve

