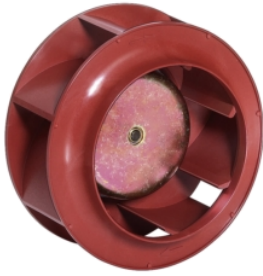


R1G133-AA65-02

EC centrifugal fan

backward curved, single inlet



ebm-papst Mulfingen GmbH & Co. KG

Bachmühle 2

74673 Mulfingen

Phone: +49 7938 81-0

Fax: +49 7938 81-110

www.ebmpapst.com

info1@de.ebmpapst.com

Nominal data

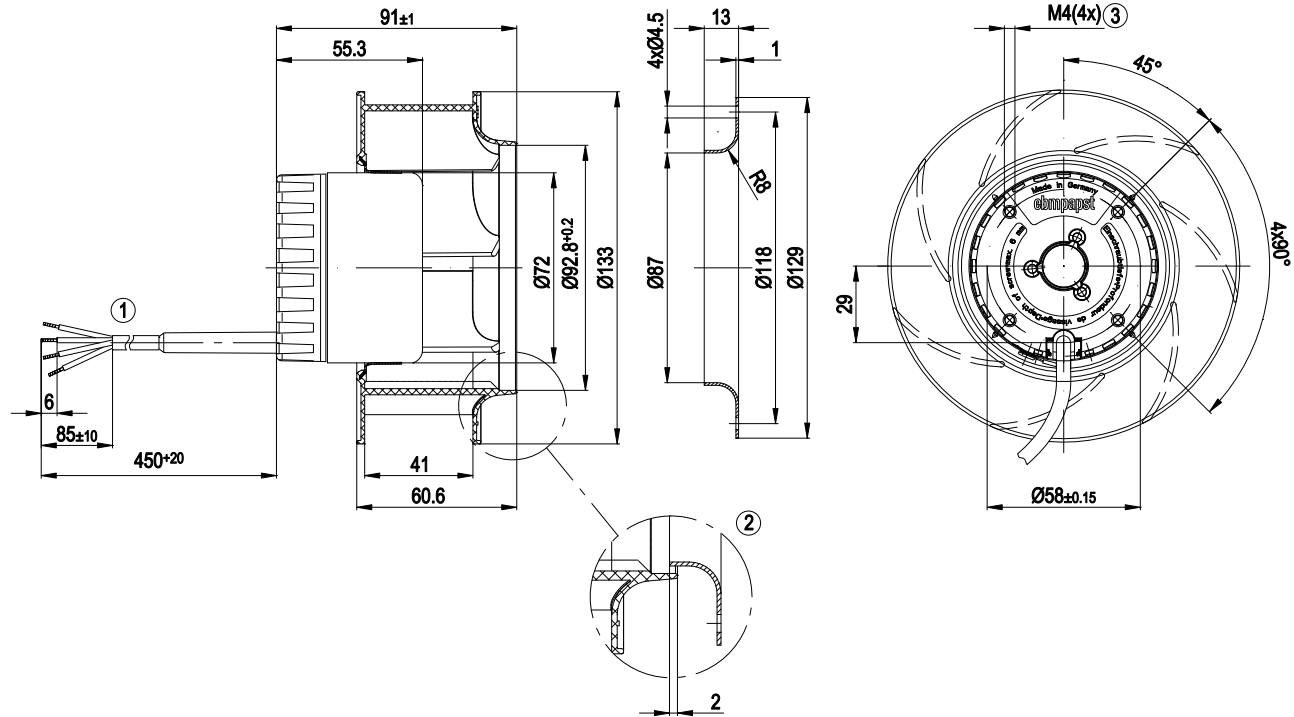
Type	R1G133-AA65-02	
Motor	M1G055-BD	
Nominal voltage	[VDC]	48
Nominal voltage range	[VDC]	36 .. 57
Type of data definition		rfa
Speed	[min ⁻¹]	3900
Power input	[W]	28
Current draw	[A]	0.7
Min. ambient temperature	[°C]	- 25
Max. ambient temperature	[°C]	+60

ml = max. load · me = max. efficiency · rfa = running at free air · cs = customer specs · cu = customer unit
Subject to alterations

Technical features

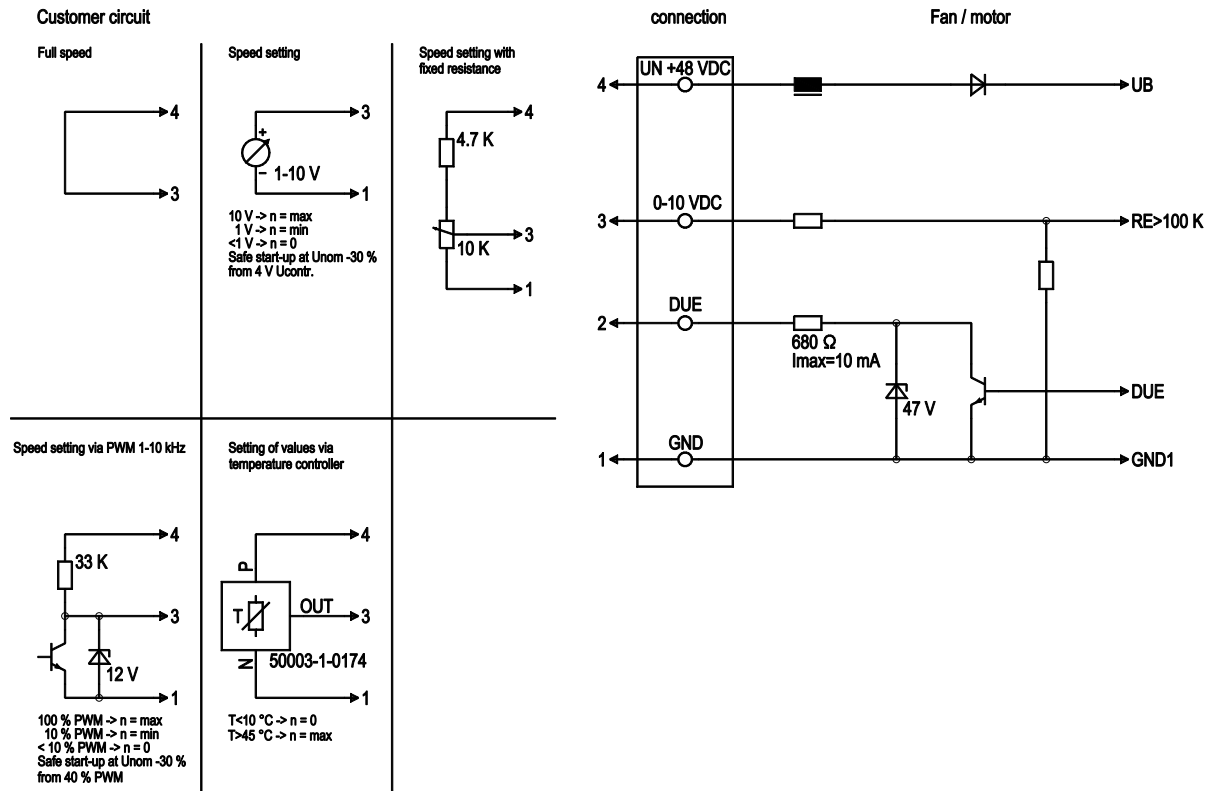
Size	133 mm
Operation mode	S1
Direction of rotation	Clockwise, seen on rotor
Mounting position	Any
EMC interference emission	Acc. to EN 61000-6-3 (household environment)
EMC interference immunity	Acc. to EN 61000-6-2 (industrial environment)
Insulation class	"B"
Cable exit	Variable
Condensate discharge holes	Rotor-side
Bearing motor	Ball bearing
Mass	0.67 kg
Material of electronics housing	Die-cast aluminium
Material of impeller	Plastic PA66, fibreglass-reinforced
Motor protection	Reverse polarity and locked-rotor protection
Surface of rotor	Thick layer passivated
Number of blades	7
Type of protection	IP 20
Technical features	<ul style="list-style-type: none"> - Control input 0-10 VDC / PWM - Tach output - Motor current limit - Soft start
Max. permissible ambient motor temp. (transp./ storage)	+80 °C
Min. permissible ambient motor temp. (transp./storage)	-40 °C
Approval	CCC; CSA C22.2 Nr.77; UL 1004

Product drawing



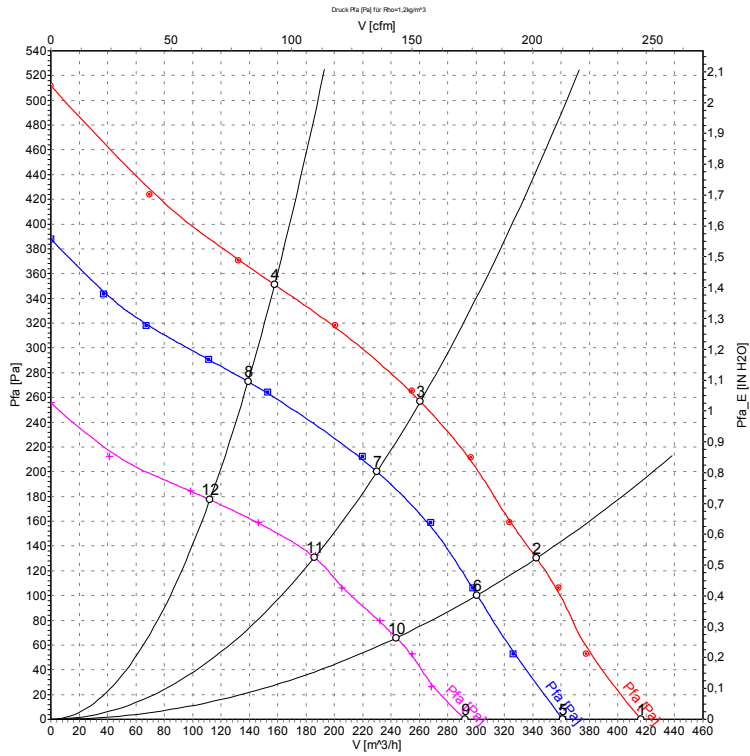
1	Connection line AWG20; 4 x brass lead tips crimped
2	Accessory part: Inlet nozzle 09566-2-4013, not included in the standard scope of delivery
3	Depth of screw max. 6 mm

Connection screen



Line	No.	Signal	Colour	Function / assignment
1	1	GND	blue	Reference mass
1	2	DUE	white	Speed monitoring output, 2 pulses per rotation, Isink max = 10 mA
1	3	0-10 VDC	yellow	Control input Re > 100 K
1	4	Un +48 VDC	red	Power supply 48 VDC, residual ripple 3.5 %

Charts: Air flow



Measurement: LU-54696
 Measurement: LU-54695
 Measurement: LU-54697

Measured values

	U	n	P ₁	I	\hat{V}	p _{ra}
	[V]	[min ⁻¹]	[W]	[A]	[m³/h]	[Pa]
1	57	4445	39	0.76	415	0
2	57	4275	44	0.84	340	130
3	57	4270	44	0.85	260	258
4	57	4345	42	0.81	160	351
5	48	3900	28	0.70	360	0
6	48	3775	31	0.71	300	100
7	48	3775	31	0.72	230	200
8	48	3825	30	0.69	140	275
9	36	3150	15	0.50	290	0
10	36	3050	17	0.55	245	66
11	36	3055	17	0.54	185	133
12	36	3100	16	0.52	110	177