

**ebm-papst St. Georgen GmbH & Co. KG**

Hermann-Papst-Straße 1

78112 St. Georgen

Phone: +49 7724 81-0

Fax: +49 7724 81-1309

www.ebmpapst.com

info2@de.ebmpapst.com

**Nominal data**

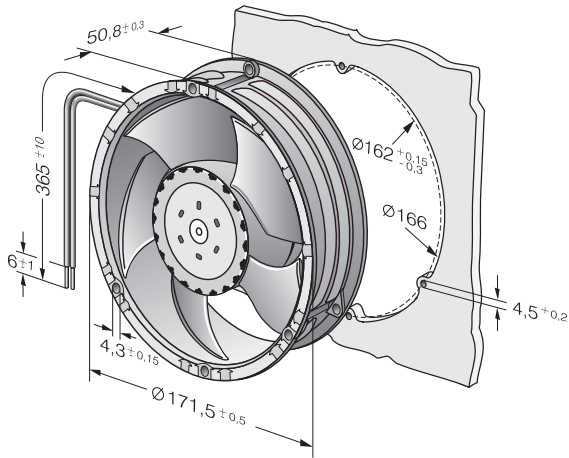
Type	6318 /2 TDHP	
Nominal voltage	[VDC]	48
Nominal voltage range	[VDC]	36 .. 72
Speed	[min <sup>-1</sup> ]	6000
Power input	[W]	41
Min. ambient temperature	[°C]	-20
Max. ambient temperature	[°C]	70
Air flow	[m <sup>3</sup> /h]	600
Sound power level	[B]	7.6
Sound pressure level	[dB(A)]	64

ml = max. load · me = max. efficiency · rfa = running at free air · cs = customer specs · cu = customer unit  
 Subject to alterations

## Technical features

<b>Dimensions</b>	172 Ø x 51 mm
<b>General description</b>	Very smooth running 3-phase fan drive. Very rigid compression curve for high air flow at high counterpressure. Low operating noise level at high counterpressure. Standard with PWM control input and speed signal. Electronic commutation completely integrated.
<b>Direction of protection</b>	Counterclockwise, looking at rotor
<b>Direction of air flow</b>	Air exhaust over bars
<b>Note</b>	Speed control range from 1000 rpm to maximum nominal speed. Standstill at 0% PWM, maximum speed at sensor break.
<b>Lifetime L10 at 40 °C</b>	70000 h
<b>Lifetime L10 at maximum temperature</b>	35000 h
<b>Mass</b>	0.910 kg
<b>Housing material</b>	Aluminum. Housing with grounding lug for screw M4 x 8 (TORX).
<b>Material of impeller</b>	Fiberglass-reinforced PA plastic
<b>Motor protection</b>	Protected against reverse polarity and locking.

Product drawing



## Charts: Air flow

