

QG030-353/12

DC tangential blower

forward curved



ebm-papst St. Georgen GmbH & Co. KG

Hermann-Papst-Straße 1

78112 St. Georgen

Phone: +49 7724 81-0

Fax: +49 7724 81-1309

www.ebmpapst.com

info2@de.ebmpapst.com

Nominal data

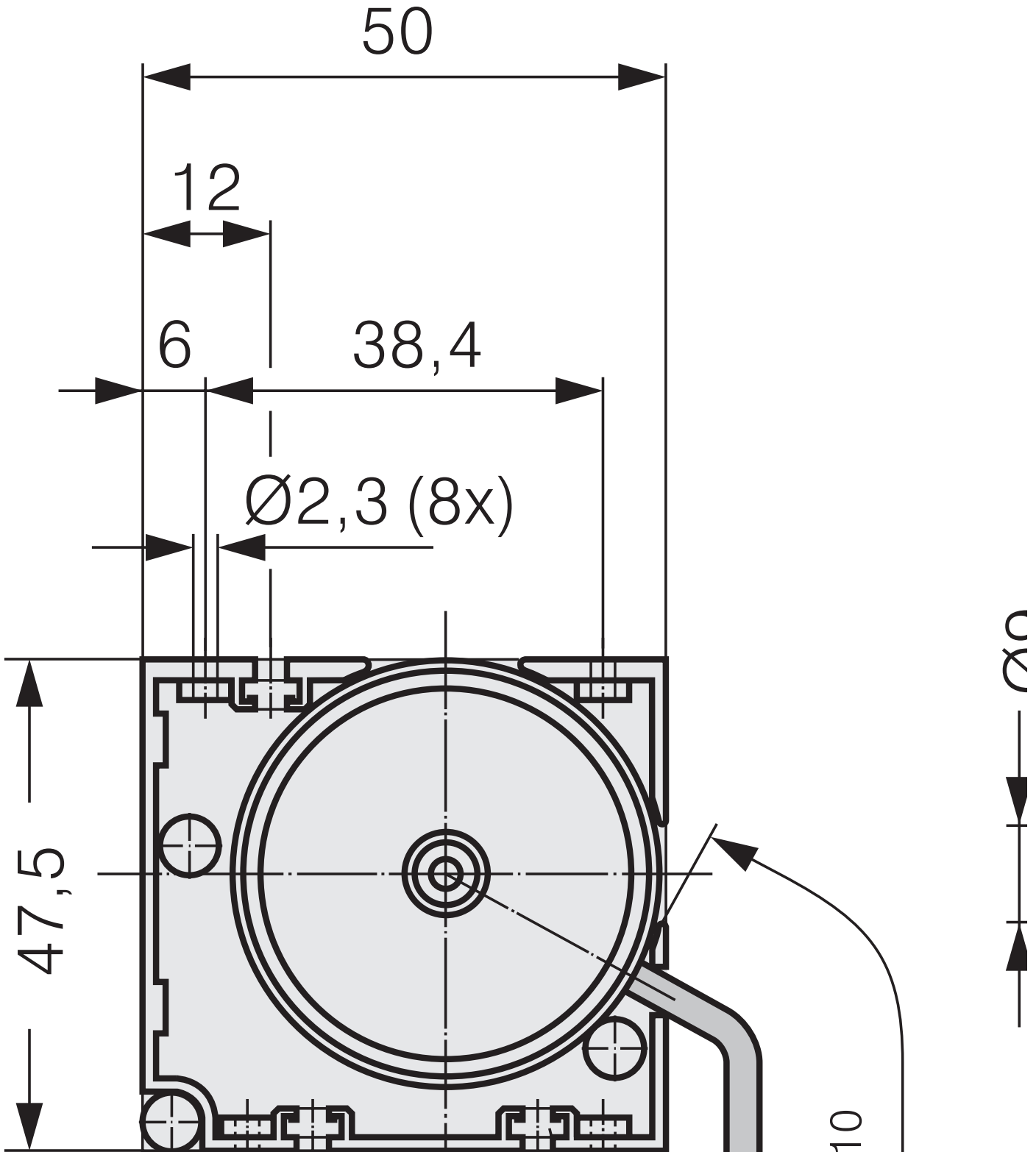
| Type | QG030-353/12 | |
|--------------------------|---------------------|---------|
| Nominal voltage | [VDC] | 12 |
| Nominal voltage range | [VDC] | 8 .. 14 |
| Power input | [W] | 9.6 |
| Min. ambient temperature | [°C] | -20 |
| Max. ambient temperature | [°C] | 60 |
| Air flow | [m ³ /h] | 155 |
| Sound pressure level | [dB(A)] | 51 |

ml = max. load · me = max. efficiency · rfa = running at free air · cs = customer specs · cu = customer unit
Subject to alterations

Technical features

| | |
|--|---|
| General description | Cross flow fan with high air flow. Large outflow surface. Electronic commutation completely integrated. |
| Locked-rotor protection | Blocking and overload protection |
| Direction of protection | Right, looking at rotor |
| Note | Tangential fans are suitable for operation at high air flow and low counterpressure only. |
| Bearing | Motor with ball bearing system. Impeller bracket with sliding bearings. |
| Lifetime L10 at 40 °C | 30000 h |
| Lifetime L10 at maximum temperature | 10000 h |
| Mass | 0.415 kg |
| Housing material | Aluminum, housing side parts of plastic. |
| Material of impeller | Aluminum |
| Motor protection | Protected against reverse polarity and locking. |
| Approval | VDE, CSA, UL, CE |

Product drawing



Charts: Air flow

