

4300 Series

Tubeaxial

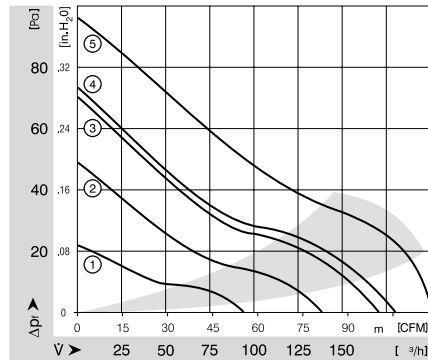
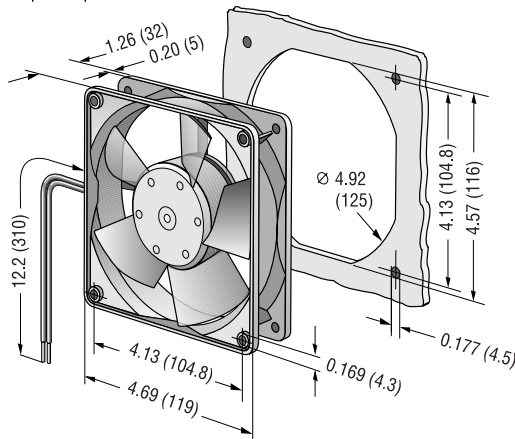
119x119x32mm



- DC fans with electronically commutated external rotor motor. Fully integrated commutation electronics.
- With electronic protection against reverse polarity, blocking and overloading by PTC-resistor; partially impedance protected.
- Mounting from either face using four 4.3 mm holes.
- Fan of fiberglass reinforced plastic. PBTP housing, PA impeller.
- Air exhaust over struts. Rotational direction CW looking at rotor.
- Electrical connection via leads AWG 22, TR 64. Stripped and tinned ends.
- UL, CSA, VDE approvals on some models, please contact application engineering.

Part Number	Curve	CFM @ 0	VDC	Volt. Range	Power (W)	dBA	Max Amb. Temp C	Bearing Type	Features	Wgt. (lbs)
4312GL	1	55.9	12	6 to 15	1.2	30	75	Sintec	Leads	0.49
4312L	1	55.9	12	6 to 15	1.2	30	75	Ball	Leads	0.49
4312GM	2	82.4	12	6 to 15	2.6	39	75	Sintec	Leads	0.49
4312M	2	82.4	12	6 to 15	2.6	39	75	Ball	Leads	0.49
4312	3	100.1	12	6 to 15	5.0	45	75	Ball	Leads	0.49
4312G	3	100.1	12	6 to 15	5.0	45	75	Sintec	Leads	0.49
4312-143	4	105.9	12	6 to 15	5.8	47	75	Ball	Leads	0.49
4312-179	5	120.1	12	6 to 13.2	8.5	51	75	Ball	Leads	0.49
<hr/>										
4314L	1	55.9	24	12 to 28	1.2	30	75	Ball	Leads	0.49
4314M	2	82.4	24	12 to 28	2.6	39	75	Ball	Leads	0.49
4314	3	100.1	24	12 to 28	5.0	45	75	Ball	Leads	0.49
4314/12	3	100.1	24	12 to 28	5.0	45	75	Ball	Leads	0.49
4314G	3	100.1	24	12 to 28	5.0	45	75	Sintec	Leads	0.49
4314-147	4	105.9	24	12 to 28	5.8	47	75	Ball	Leads	0.49
4314-180	5	120.1	24	12 to 26.5	9.5	51	75	Ball	Leads	0.49
<hr/>										
4318M	2	82.4	48	36 to 56	3.5	39	75	Ball	Leads	0.49
4318G	3	100.1	48	36 to 53	5.0	45	75	Sintec	Leads	0.49
4318	3	100.1	48	36 to 53	5.0	45	75	Ball	Leads	0.49
4318/2	3	100.1	48	36 to 53	5.0	45	75	Ball	Leads	0.49

Terminal option available upon request.



ebmpapst

e-mail: sales@us.ebmpapst.com · TEL: 860-674-1515 · FAX: 860-674-8536

ebm-papst Inc., 100 Hyde Road, Farmington, CT 06034 USA

ebm-papst Inc., 2006 © ebm-papst Inc. reserves the right to change any specifications or data without notice