

**ebm-papst St. Georgen GmbH & Co. KG**

Hermann-Papst-Straße 1

78112 St. Georgen

Phone: +49 7724 81-0

Fax: +49 7724 81-1309

www.ebmpapst.com

info2@de.ebmpapst.com

Nominal data

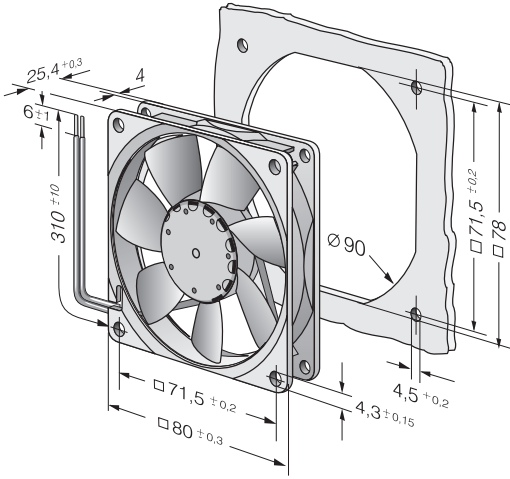
Type	8412 NGMLV	
Nominal voltage	[VDC]	12
Nominal voltage range	[VDC]	8 .. 14
Speed	[min ⁻¹]	2050
Power input	[W]	1.5
Min. ambient temperature	[°C]	-20
Max. ambient temperature	[°C]	70
Air flow	[m ³ /h]	45
Sound power level	[B]	3.9
Sound pressure level	[dB(A)]	19

ml = max. load · me = max. efficiency · rfa = running at free air · cs = customer specs · cu = customer unit
 Subject to alterations

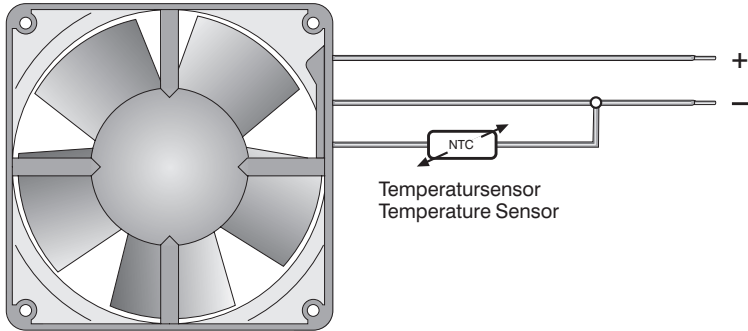
Technical features

Dimensions	80 x 80 x 25 mm
General description	Open loop speed control via external and internal temperature sensor. Automatic adaptation of the speed to the cooling requirement. Electronic commutation completely integrated.
Connection line	Single strands AWG 24, TR 64, bared and tin-plated.
Locked-rotor protection	Blocking and overload protection
Direction of protection	Left, looking at rotor
Direction of air flow	Air exhaust over bars
Bearing	Sintec sleeve bearing
Lifetime L10 at 40 °C	80000 h
Lifetime L10 at maximum temperature	40000 h
Mass	0.095 kg
Housing material	Fiberglass-reinforced PBT plastic
Material of impeller	Fiberglass-reinforced PA plastic
Motor protection	Protected against reverse polarity and locking.
Option	Alarm signal
Approval	VDE, CSA, UL, CE

Product drawing



Connection screen



Charts: Air flow

