

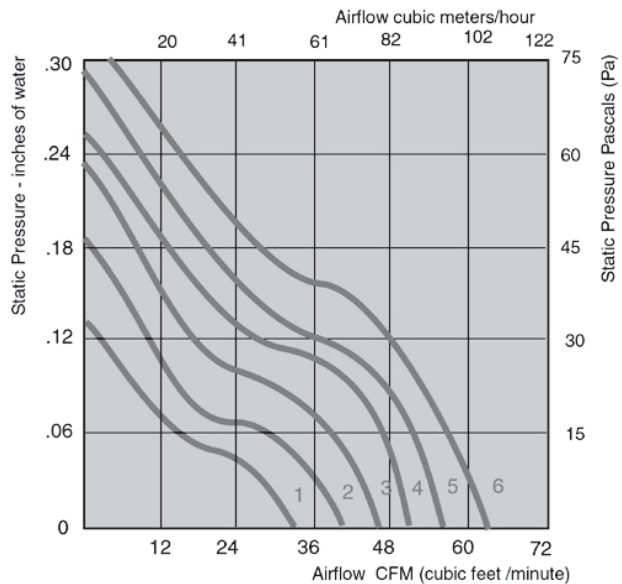
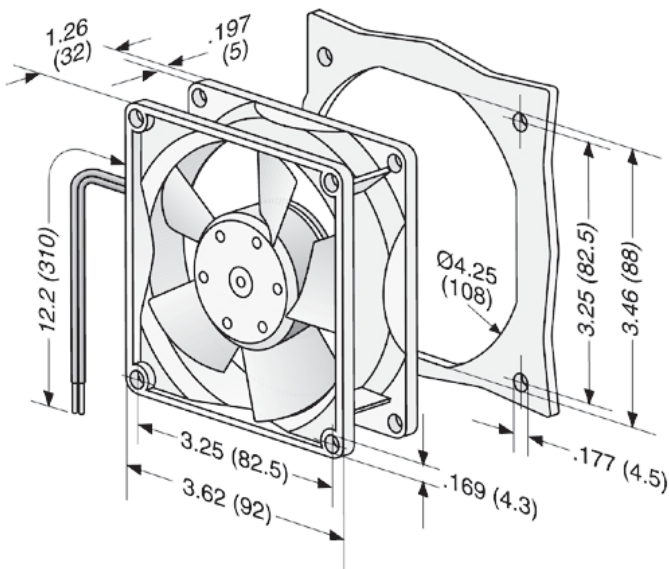
3300 Series

Tubeaxial

92x92x32mm

- DC fans with electronically commutated external rotor motor. Fully integrated commutation electronics.
- With electronic protection against reverse polarity, blocking and overloading by PTC-resistor; partially impedance protected.
- Mounting from either face using four 4.3 mm holes.
- Fan of fiberglass reinforced plastic. PBTP housing, PA impeller.
- Air exhaust over struts. Rotational direction CCW looking at rotor.
- Electrical connection via 2 leads AWG 22, TR 64. Stripped and tinned ends.
- UL, CSA, VDE approvals on some models, please contact application engineering.

Part Number	Curve	CFM @ 0	VDC	Volt. Range	Power (W)	dBA	Max Amb. Temp C	Bearing Type	Features	Wgt. (lbs)
3312GL	1	33	12	6 to 15	1.4	29	75	Sintec	Leads	0.44
3312L	1	33	12	6 to 15	1.4	29	75	Ball	Leads	0.44
3312M	2	40	12	6 to 15	1.7	34	75	Ball	Leads	0.44
3312GM	2	40	12	6 to 15	1.7	34	75	Sintec	Leads	0.44
3392M	2	40	12	6 to 15	1.7	34	75	Ball	Terminals	0.44
3392	3	47	12	6 to 15	2.4	37	75	Ball	Terminals	0.44
3372	3	47	12	6 to 15	2.4	37	75	Ball	Terminals	0.44
3312G	3	47	12	6 to 15	2.4	37	75	Sintec	Leads	0.44
3312	3	47	12	6 to 15	2.4	37	75	Ball	Leads	0.44
3312S	3	47	12	6 to 15	2.4	37	75	Ball	Leads	0.44
3312-177	5	55	12	6 to 15	3.5	43	75	Ball	Terminals	0.44
<hr/>										
3314L	1	33	24	12 to 28	1.4	29	75	Ball	Leads	0.44
3314M	3	40	24	12 to 28	1.7	34	75	Ball	Leads	0.44
3314	3	47	24	12 to 28	2.4	37	75	Ball	Leads	0.44
3314G	3	47	24	12 to 28	2.4	37	75	Sintec	Leads	0.44



ebmpapst

e-mail: sales@us.ebmpapst.com · TEL: 860-674-1515 · FAX: 860-674-8536

ebm-papst Inc., 100 Hyde Road, Farmington, CT 06034 USA

ebm-papst Inc., 2004 © ebm-papst Inc. reserves the right to change any specifications or data without notice

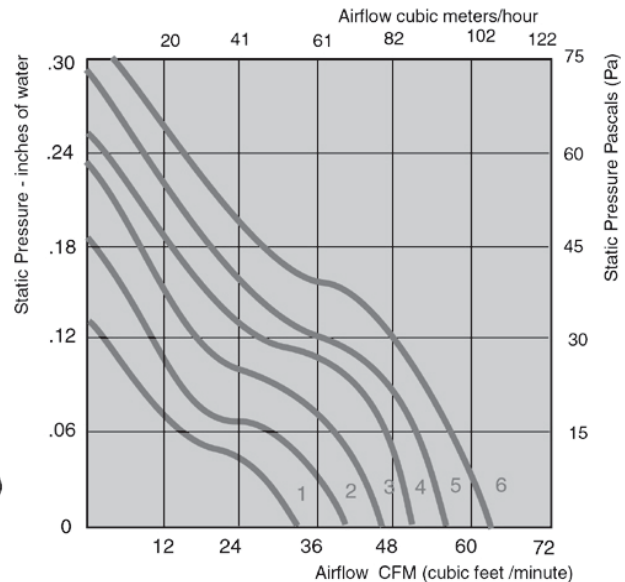
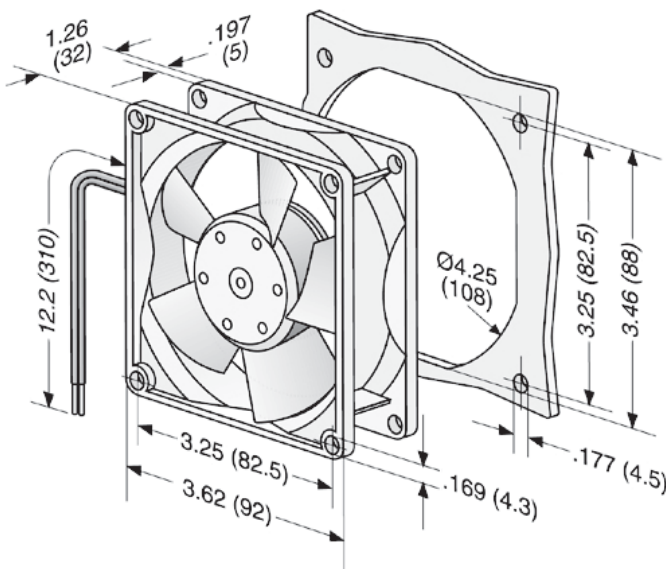


3300 Series cont. Tubeaxial

92x92x32mm

- DC fans with electronically commutated external rotor motor. Fully integrated commutation electronics.
- With electronic protection against reverse polarity, blocking and overloading by PTC-resistor; partially impedance protected.
- Mounting from either face using four 4.3 mm holes.
- Fan of fiberglass reinforced plastic. PBTP housing, PA impeller.
- Air exhaust over struts. Rotational direction CCW looking at rotor.
- Electrical connection via 2 leads AWG 22, TR 64. Stripped and tinned ends.
- UL, CSA, VDE approvals on some models, please contact application engineering.

Part Number	Curve	CFM @ 0	VDC	Volt. Range	Power (W)	dBA	Max Amb. Temp C	Bearing Type	Features	Wgt. (lbs)
3314S	3	47	24	12 to 28	2.4	37	75	Ball	Leads	0.44
3374	3	47	24	12 to 28	2.4	37	75	Ball	Terminals	0.44
3394	3	47	24	12 to 28	2.4	37	75	Ball	Terminals	0.44
3314-140	4	50	24	12 to 28	3.0	40	75	Ball	Leads	0.44
3318	3	47	48	36 to 56	2.7	37	75	Ball	Leads	0.44



ebmpapst

e-mail: sales@us.ebmpapst.com · TEL: 860-674-1515 · FAX: 860-674-8536

ebm-papst Inc., 100 Hyde Road, Farmington, CT 06034 USA

ebm-papst Inc., 2004 © ebm-papst Inc. reserves the right to change any specifications or data without notice