

**ebm-papst St. Georgen GmbH & Co. KG**

Hermann-Papst-Straße 1

78112 St. Georgen

Phone: +49 7724 81-0

Fax: +49 7724 81-1309

www.ebmpapst.com

info2@de.ebmpapst.com

Nominal data

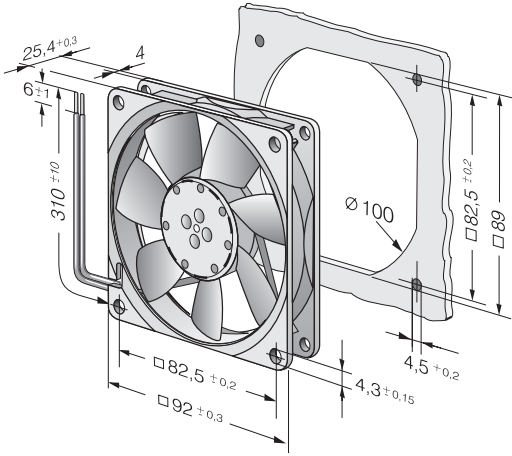
Type	3412 NGV	
Nominal voltage	[VDC]	12
Nominal voltage range	[VDC]	8 .. 12.6
Speed	[min ⁻¹]	2700
Power input	[W]	2.5
Min. ambient temperature	[°C]	-20
Max. ambient temperature	[°C]	70
Air flow	[m ³ /h]	84
Sound power level	[B]	4.7
Sound pressure level	[dB(A)]	32

ml = max. load · me = max. efficiency · rfa = running at free air · cs = customer specs · cu = customer unit
Subject to alterations

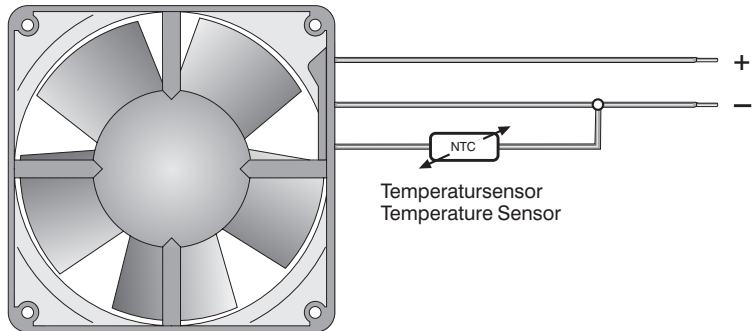
Technical features

Dimensions	92 x 92 x 25 mm
General description	Automatic adaptation of the speed to the cooling requirement. Open loop speed control via external or internal temperature sensor. Electronic commutation completely integrated.
Connection line	Single strands AWG 24, TR 64, bared and tin-plated.
Direction of protection	Left, looking at rotor
Direction of air flow	Air exhaust over bars
Note	The temperature sensor for regulating the motor speed is not included in the standard scope of delivery.
Bearing	Sintec sleeve bearing
Lifetime L10 at 40 °C	75000 h
Lifetime L10 at maximum temperature	37500 h
Mass	0.100 kg
Housing material	Fiberglass-reinforced PBT plastic
Material of impeller	Fiberglass-reinforced PA plastic
Motor protection	Protected against reverse polarity and locking.
Option	Alarm signal
Approval	VDE, CSA, UL

Product drawing



Connection screen



Charts: Air flow

