

4400F Series

Tubeaxial

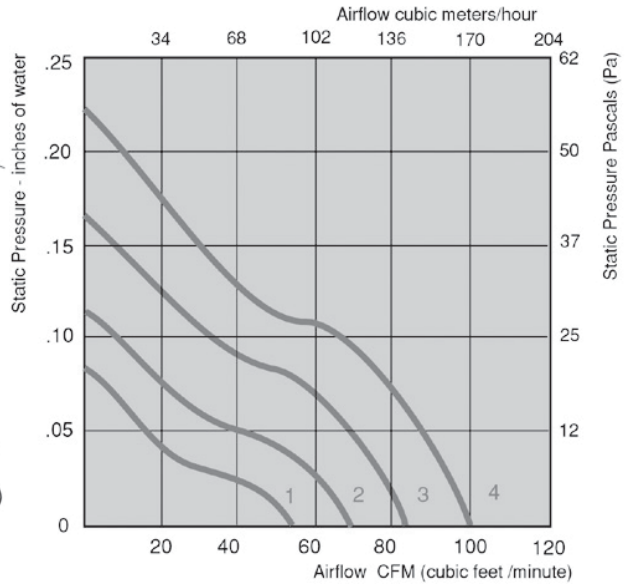
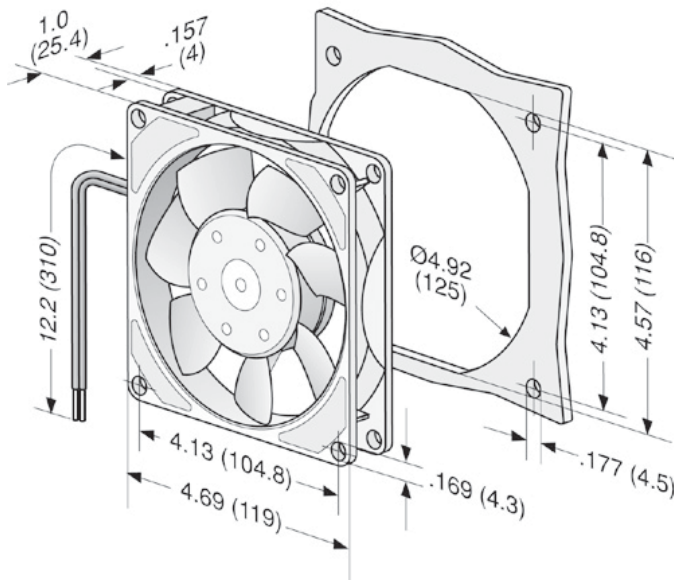
119x119x25mm



- DC fans with electronically commutated external rotor motor. Fully integrated commutation electronics.
- With electronic protection against reverse polarity, blocking and overloading by PTC-resistor partially impedance protected.
- Mounting from either face using four 4.3 mm holes.

- Fan of fiberglass reinforced plastic. PBTP housing, PA impeller.
- Air exhaust over struts. Rotational direction CCW looking at rotor.
- Electrical connection via 2 leads AWG 22, TR 64. Stripped and tinned ends.
- UL, CSA, VDE approvals on some models, please contact application engineering.

Part Number	Curve	CFM @ 0	VDC	Volt. Range	Power (W)	dBA	Max Amb. Temp C	Bearing Type	Features	Wgt. (lbs)
4412FGL	1	55	12	7 to 14	1.3	26	75	Sintec	Leads	0.38
4412FGML	2	67	12	7 to 14	2.0	32	75	Sintec	Leads	0.38
4412FM	3	82	12	7 to 14	3.2	38	75	Ball	Leads	0.38
4412FMD	3	82	12	7 to 14	3.2	38	75	Ball	Leads Ribs	0.38
4482FM	3	82	12	7 to 14	3.2	38	75	Ball	Terminals	0.38
4482FMD	3	82	12	7 to 14	3.2	38	75	Ball	Terminals Ribs	0.38
4414FM	3	82	24	12 to 28	3.2	38	75	Ball	Leads	0.38
4414FMD	3	82	24	12 to 28	3.2	38	75	Ball	Leads Ribs	0.38
4484FM	3	82	24	12 to 28	3.2	38	75	Ball	Terminals	0.38
4484FMD	3	82	24	12 to 28	3.2	38	75	Ball	Terminals Ribs	0.38
4418F	4	100	48	28 to 53	6.5	43	60	Ball	Leads	0.38
4414F	4	100	24	12 to 28	5.0	43	75	Ball	Leads	0.38
4414FD	4	100	24	12 to 28	5.0	43	75	Ball	Leads Ribs	0.38
4484F	4	100	24	12 to 28	5.0	43	75	Ball	Terminals	0.38
4484FD	4	100	24	12 to 28	5.0	43	75	Ball	Terminals Ribs	0.38



ebmpapst

e-mail: sales@us.ebmpapst.com · TEL: 860-674-1515 · FAX: 860-674-8536

ebm-papst Inc., 100 Hyde Road, Farmington, CT 06034 USA

ebm-papst Inc., 2004 © ebm-papst Inc. reserves the right to change any specifications or data without notice