

**ebm-papst St. Georgen GmbH & Co. KG**

Hermann-Papst-Straße 1

78112 St. Georgen

Phone: +49 7724 81-0

Fax: +49 7724 81-1309

www.ebmpapst.com

info2@de.ebmpapst.com

**Nominal data**

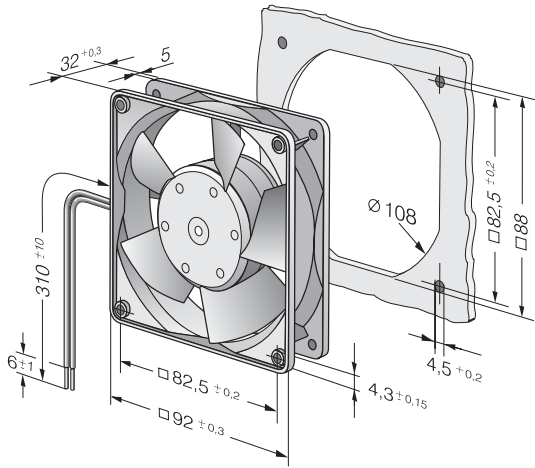
| Type                     | 3312 GL              |         |
|--------------------------|----------------------|---------|
| Nominal voltage          | [VDC]                | 12      |
| Nominal voltage range    | [VDC]                | 6 .. 15 |
| Speed                    | [min <sup>-1</sup> ] | 2150    |
| Power input              | [W]                  | 1.4     |
| Min. ambient temperature | [°C]                 | -20     |
| Max. ambient temperature | [°C]                 | 75      |
| Air flow                 | [m <sup>3</sup> /h]  | 56      |
| Sound power level        | [B]                  | 4.5     |
| Sound pressure level     | [dB(A)]              | 29      |

ml = max. load · me = max. efficiency · rfa = running at free air · cs = customer specs · cu = customer unit  
Subject to alterations

**Technical features**

|  |   |
|--|---|
| <b>Dimensions</b>                          | 92 x 92 x 32 mm   |
| <b>General description</b>                 | Optional Vario-Pro: Highly flexible software configuration for the fan ensures an easily customisable solution to meet the individual requirements of your application. Electronic commutation completely integrated. |
| <b>Connection line</b>                     | Single strands AWG 22, TR 64, bared and tin-plated.   |
| <b>Direction of protection</b>             | Right, looking at rotor   |
| <b>Direction of air flow</b>               | Air exhaust over bars   |
| <b>Bearing</b>                             | Sintec sleeve bearing   |
| <b>Lifetime L10 at 40 °C</b>               | 80000 h   |
| <b>Lifetime L10 at maximum temperature</b> | 35000 h   |
| <b>Mass</b>                                | 0.190 kg  |
| <b>Housing material</b>                    | Fiberglass-reinforced PBT plastic   |
| <b>Material of impeller</b>                | Fiberglass-reinforced PA plastic  |
| <b>Motor protection</b>                    | Protected against reverse polarity and locking.   |
| <b>Approval</b>                            | VDE, CSA, UL  |

## Product drawing



Charts: Air flow

