

600F Series

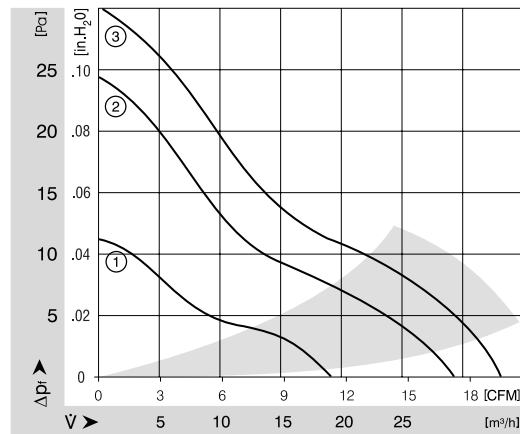
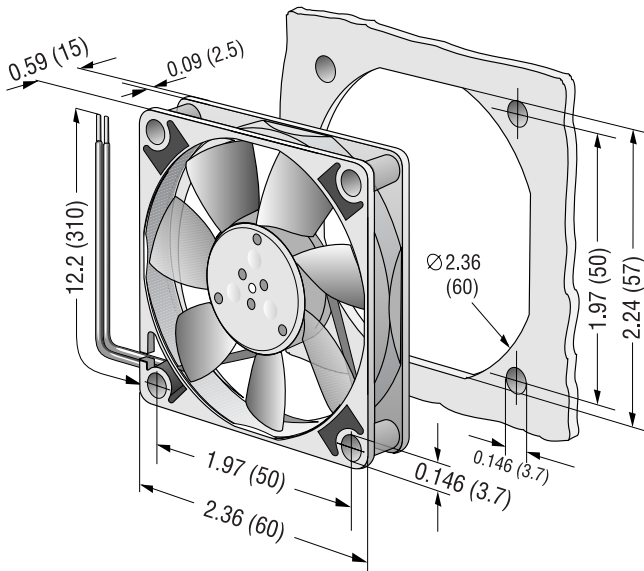
Tubeaxial

60x60x15mm



- DC fans with electronically commutated external rotor motor. Fully integrated commutation electronics.
- With electronic protection against reverse polarity. The fan only operates when the polarity is correct. Impedance-protected against blocking and overloading.
- Mounting from either face using four 3.7 mm holes.
- Fan of fiberglass reinforced plastic. PBTP housing, PA impeller.
- Air exhaust over struts. Rotational direction CCW looking at rotor.
- Electrical connection via 2 leads AWG 28, TR 64. Stripped and tinned ends.
- UL, CSA, VDE approvals on some models, please contact application engineering.

Part Number	Curve	CFM @ 0	VDC	Volt. Range	Power (W)	dBA	Max. Amb. Temp. C	Bearing Type	Speed (RPM)	Features	Wgt. (lbs)
605F	2	17.1	5	4.5 to 5.2	1.1	27	50	Sintec	4000	Leads	0.06
612FL	1	11.2	12	11.5 to 13.2	0.4	16	70	Sintec	2650	Leads	0.06
612F	2	17.1	12	10.8 to 13.2	1.0	27	70	Sintec	3900	Leads	0.06
612FH	3	19.4	12	10.0 to 13.2	1.4	31	60	Sintec	4500	Leads	0.06
614F	2	17.1	24	21.6 to 26.4	1.1	27	70	Sintec	3900	Leads	0.06



ebmpapst

e-mail: sales@us.ebmpapst.com · TEL: 860-674-1515 · FAX: 860-674-8536

ebm-papst Inc., 100 Hyde Road, Farmington, CT 06034 USA

ebm-papst Inc., 2006 © ebm-papst Inc. reserves the right to change any specifications or data without notice