

**ebm-papst St. Georgen GmbH & Co. KG**

Hermann-Papst-Straße 1

78112 St. Georgen

Phone: +49 7724 81-0

Fax: +49 7724 81-1309

www.ebmpapst.com

info2@de.ebmpapst.com

Nominal data

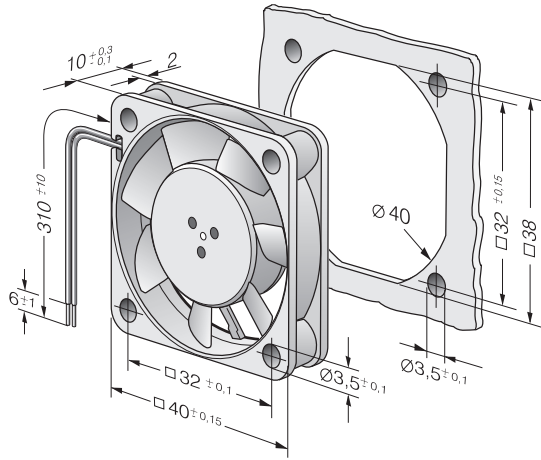
Type	405 F	
Nominal voltage	[VDC]	5
Nominal voltage range	[VDC]	4.5 .. 5.5
Speed	[min ⁻¹]	5400
Power input	[W]	0.7
Min. ambient temperature	[°C]	-20
Max. ambient temperature	[°C]	70
Air flow	[m ³ /h]	8
Sound power level	[B]	4.4
Sound pressure level	[dB(A)]	22.1

ml = max. load · me = max. efficiency · rfa = running at free air · cs = customer specs · cu = customer unit
Subject to alterations

Technical features

Dimensions	40 x 40 x 10 mm
General description	Compact fan with low power consumption. Electronic commutation completely integrated.
Connection line	Single strands AWG 28, TR 64, bared and tin-plated.
Direction of protection	Left, looking at rotor
Direction of air flow	Air exhaust over bars
Bearing	Sintec sleeve bearing system
Lifetime L10 at 20 °C	45000 h
Lifetime L10 at 60 °C	15000 h
Mass	0.017 kg
Housing material	Fiberglass-reinforced PBT plastic
Material of impeller	Fiberglass-reinforced PA plastic
Motor protection	Protected against reverse polarity and locking.
Option	Speed signal
Approval	VDE, CSA, UL

Product drawing



Charts: Air flow

