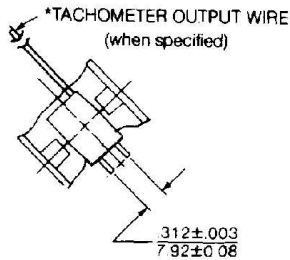


TERMINAL VERSION

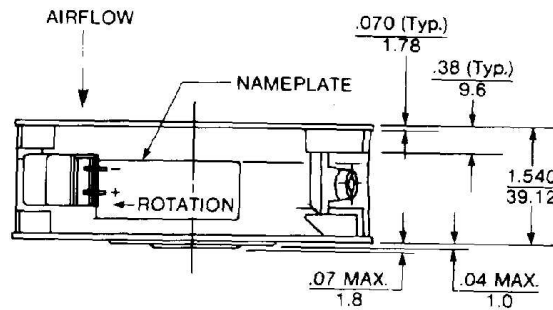
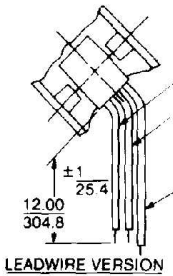
TERMINALS:
 .120 ±.002/3.05 ±0.05 WIDE
 .020 ±.001/0.51 ±0.03 THICK
 .300 ±.020/7.62 ±0.51 LONG

(WILL FIT AMP SERIES 110 TERMINALS OR EQUIVALENT)

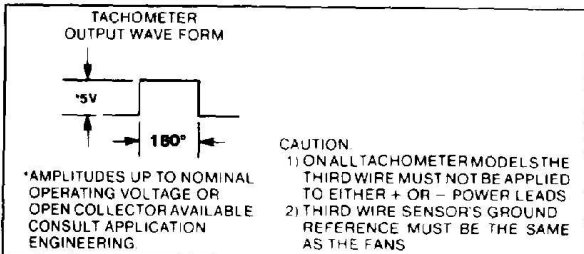
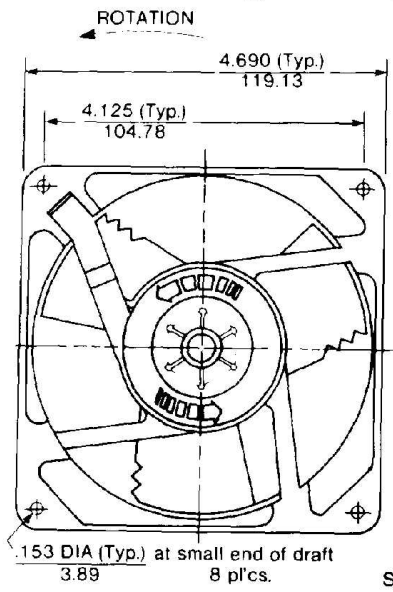
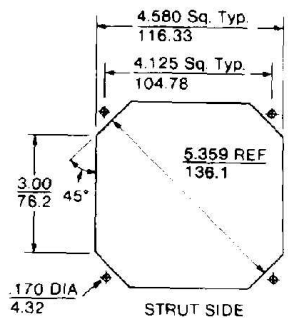
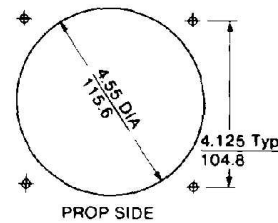


RED WIRE +
 BLACK WIRE -
 LEADWIRE - 22 AWG, UL STYLE 1061
 STRIPPED .50 ± .05
 12.7 ±1.27

*TACHOMETER OUTPUT WIRE (when specified)
 BLUE W/WHITE TRACER (SEE PAGE 60 FOR DETAILS)
 22 AWG UL STYLE 1061
 LENGTH: 15.00 ±1
 381.0 ±25.4



RECOMMENDED CUT OUT



DIMENSIONS: in ±
 mm ±
 TOLERANCES: .xx = .03
 .8
 .xxx = .010
 25
 ANGULAR ±2°
 (UNLESS NOTED)

Specifications subject to change without notice.