

**ebm-papst St. Georgen GmbH & Co. KG**

Hermann-Papst-Straße 1

78112 St. Georgen

Phone: +49 7724 81-0

Fax: +49 7724 81-1309

www.ebmpapst.com

info2@de.ebmpapst.com

**Nominal data**

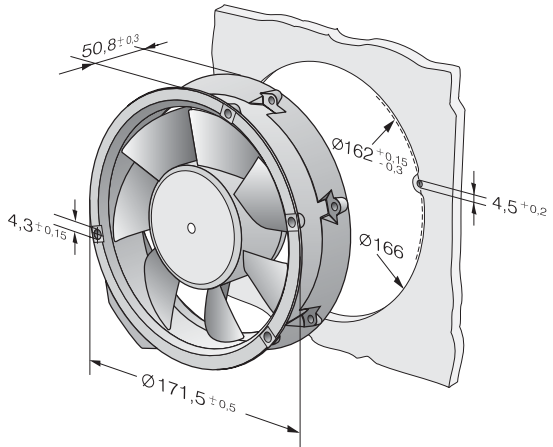
Type	6224 NH	
Nominal voltage	[VDC]	24
Nominal voltage range	[VDC]	12 .. 28
Speed	[min <sup>-1</sup> ]	4000
Power input	[W]	26.0
Min. ambient temperature	[°C]	-20
Max. ambient temperature	[°C]	55
Air flow	[m <sup>3</sup> /h]	480
Sound power level	[B]	6.9
Sound pressure level	[dB(A)]	61

ml = max. load · me = max. efficiency · rfa = running at free air · cs = customer specs · cu = customer unit  
Subject to alterations

### Technical features

<b>Dimensions</b>	172 Ø x 51 mm
<b>General description</b>	VARIOFAN models available with external temperature sensor. Optional Vario-Pro: Highly flexible software configuration for the fan ensures an easily customizable solution to meet the individual requirements of your application. Commutation electronics completely integrated.
<b>Connection line</b>	Flat plugs 3.0 x 0.5 mm. Optional version with strands.
<b>Locked-rotor protection</b>	Electronic blocking protection, with electronic motor current limit in the startup phase and when the rotor is blocked.
<b>Direction of protection</b>	Left, looking at rotor
<b>Direction of air flow</b>	Air exhaust over bars
<b>Bearing</b>	Ball bearings
<b>Lifetime L10 at 40 °C</b>	70000 h
<b>Lifetime L10 at maximum temperature</b>	50000 h
<b>Mass</b>	0.820 kg
<b>Housing material</b>	Aluminum. Housing with grounding lug for screw M4 x 8 (TORX).
<b>Material of impeller</b>	Fiberglass-reinforced PA plastic
<b>Motor protection</b>	Protected against reverse polarity and locking.
<b>Option</b>	Max. ambient temperature up to +72 C° on request
<b>Approval</b>	VDE, CSA, UL, CE

Product drawing



## Charts: Air flow

