

W2G115 Series

Tubeaxial

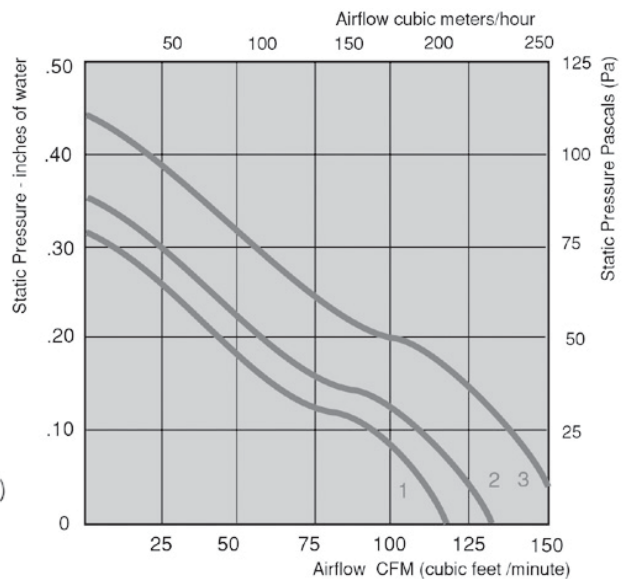
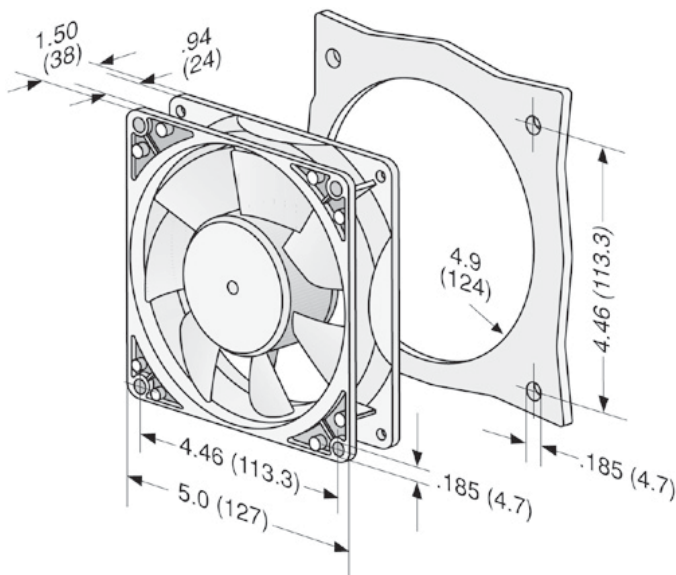
127x127x38mm



- DC fans with electronically commutated external rotor motor. Fully integrated commutation electronics.
- With electronic protection against reverse polarity and locked-rotor.
- Mounting from either face using four 4.7 mm holes.

- Die-cast aluminum housing. Impeller of sheet-steel, directly welded onto rotor and stove-enameled.
- Air exhaust over struts. Rotational direction CCW looking at rotor.
- Electrical connection via 2 flat pins 2.8 x 0.8 mm.
- UL, CSA, VDE approvals on some models, please contact application engineering.

Part Number	Curve	CFM @ 0	VDC	Volt. Range	Power (W)	dBA	Max Amb. Temp C	Bearing Type	Features	Wgt. (lbs)
W2G115-AD15-01	1	118	12	8 to 16	4.5	44	72	Ball	Leads	1.31
W2G115-AD15-13	1	118	12	8 to 16	4.5	44	72	Ball	Terminals	1.31
W2G115-AE53-01	2	130	12	8 to 16	5.9	48	72	Ball	Leads	1.56
W2G115-AE53-13	2	130	12	8 to 16	5.9	48	72	Ball	Terminals	1.56
W2G115-AD17-01	1	118	24	18 to 30	4.7	44	72	Ball	Leads	1.31
W2G115-AD17-13	1	118	24	18 to 30	4.7	44	72	Ball	Leads	1.31
W2G115-AE31-01	2	130	24	18 to 30	5.7	48	72	Ball	Leads	1.56
W2G115-AE31-13	2	130	24	18 to 30	5.7	48	72	Ball	Terminals	1.56
W2G115-AG71-01	3	160	24	16 to 28	12.0	52	72	Ball	Leads	1.56
W2G115-AG71-09	3	160	24	16 to 28	12.0	52	72	Ball	Terminals	1.56
W2G115-AG71-12	3	160	24	16 to 28	12.0	52	72	Ball	Terminals	1.56
W2G115-AD19-01	1	118	48	36 to 56	4.6	44	72	Ball	Leads	1.31



ebmpapst

e-mail: sales@us.ebmpapst.com · TEL: 860-674-1515 · FAX: 860-674-8536

ebm-papst Inc., 100 Hyde Road, Farmington, CT 06034 USA

ebm-papst Inc., 2004 © ebm-papst Inc. reserves the right to change any specifications or data without notice