

**ebm-papst St. Georgen GmbH & Co. KG**

Hermann-Papst-Straße 1

78112 St. Georgen

Phone: +49 7724 81-0

Fax: +49 7724 81-1309

www.ebmpapst.com

info2@de.ebmpapst.com

**Nominal data**

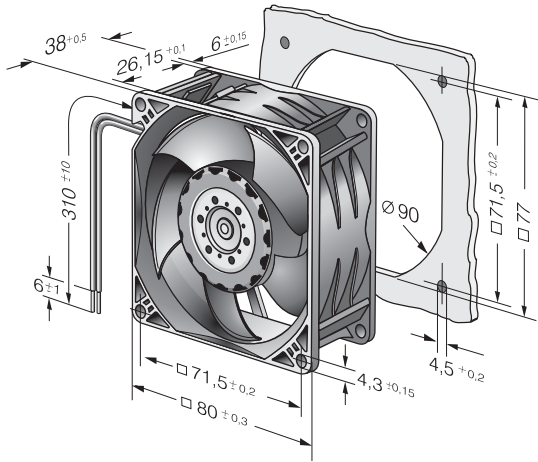
| Type                     | 8214 JN              |            |
|--------------------------|----------------------|------------|
| Nominal voltage          | [VDC]                | 24         |
| Nominal voltage range    | [VDC]                | 18 .. 26.4 |
| Speed                    | [min <sup>-1</sup> ] | 8400       |
| Power input              | [W]                  | 10         |
| Min. ambient temperature | [°C]                 | -20        |
| Max. ambient temperature | [°C]                 | 70         |
| Air flow                 | [m <sup>3</sup> /h]  | 132        |
| Sound power level        | [B]                  | 6.6        |
| Sound pressure level     | [dB(A)]              | 55         |

ml = max. load · me = max. efficiency · rfa = running at free air · cs = customer specs · cu = customer unit  
 Subject to alterations

### Technical features

|  |  |
|--|--|
| <b>Dimensions</b>                          | 80 x 80 x 38 mm  |
| <b>General description</b>                 | Rigid compression curve for high air flow at high counterpressure. Innovative impeller design with winglets for low noise. Optional Vario-Pro: Highly flexible software configuration for the fan ensures an easily customizable solution to meet the individual requirements of your application. Electronic commutation completely integrated. |
| <b>Connection line</b>                     | Single strands AWG 24, TR 64, bared and tin-plated.  |
| <b>Locked-rotor protection</b>             | With electronic blocking and overload protection   |
| <b>Direction of protection</b>             | Left, looking at rotor   |
| <b>Direction of air flow</b>               | Air exhaust over bars  |
| <b>Bearing</b>                             | Ball bearings  |
| <b>Lifetime L10 at 40 °C</b>               | 62500 h  |
| <b>Lifetime L10 at maximum temperature</b> | 32500 h  |
| <b>Mass</b>                                | 0.160 kg   |
| <b>Housing material</b>                    | Fiberglass-reinforced PBT plastic  |
| <b>Material of impeller</b>                | Fiberglass-reinforced PA plastic   |
| <b>Motor protection</b>                    | Protected against reverse polarity and locking.  |
| <b>Option</b>                              | Speed signal   |
| <b>Approval</b>                            | CE   |

Product drawing



Charts: Air flow

