

4214 H

DC axial compact fan



ebm-papst St. Georgen GmbH & Co. KG

Hermann-Papst-Straße 1

78112 St. Georgen

Phone: +49 7724 81-0

Fax: +49 7724 81-1309

www.ebmpapst.com

info2@de.ebmpapst.com

Nominal data

| Type | 4214 H | |
|--------------------------|----------------------|----------|
| Nominal voltage | [VDC] | 24 |
| Nominal voltage range | [VDC] | 12 .. 28 |
| Speed | [min ⁻¹] | 3400 |
| Power input | [W] | 5.3 |
| Min. ambient temperature | [°C] | -20 |
| Max. ambient temperature | [°C] | 65 |
| Air flow | [m ³ /h] | 184 |
| Sound power level | [B] | 5.9 |
| Sound pressure level | [dB(A)] | 49 |

ml = max. load · me = max. efficiency · rfa = running at free air · cs = customer specs · cu = customer unit
Subject to alterations

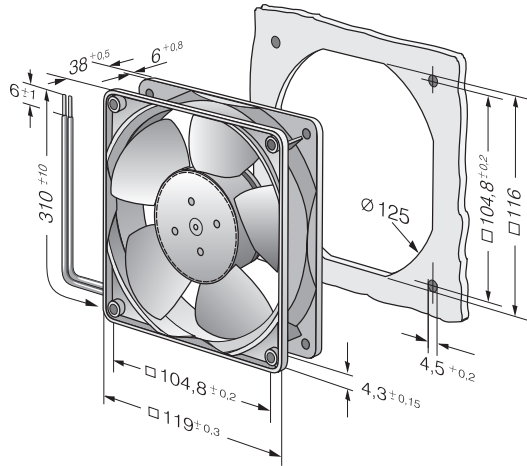
Technical features

| | |
|--|---|
| Dimensions | 119 x 119 x 38 mm |
| General description | Optional Vario-Pro: Highly flexible software configuration for the fan ensures an easily customizable solution to meet the individual requirements of your application. Electronic commutation completely integrated. |
| Connection line | Single strands AWG 22, TR 64, bared and tin-plated. |
| Locked-rotor protection | Blocking and overload protection |
| Direction of protection | Left, looking at rotor |
| Direction of air flow | Air exhaust over bars |
| Bearing | Ball bearings |
| Lifetime L10 at 40 °C | 60000 h |
| Lifetime L10 at maximum temperature | 32500 h |
| Mass | 0.290 kg |
| Housing material | Fiberglass-reinforced PBT plastic |
| Material of impeller | Fiberglass-reinforced PA plastic |
| Motor protection | Protected against reverse polarity and locking. |
| Option | Speed signal |
| Approval | VDE, CSA, UL, CE |

4214 H

DC axial compact fan

Product drawing



Charts: Air flow

