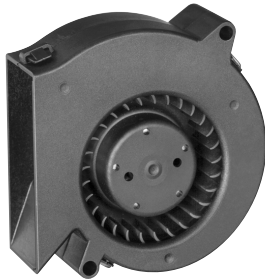


RL 48-19/14

DC centrifugal compact fan

single inlet



ebm-papst St. Georgen GmbH & Co. KG

Hermann-Papst-Straße 1

78112 St. Georgen

Phone: +49 7724 81-0

Fax: +49 7724 81-1309

www.ebmpapst.com

info2@de.ebmpapst.com

Nominal data

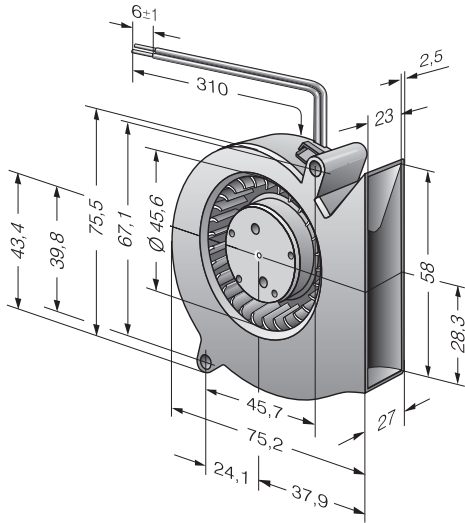
Type	RL 48-19/14	
Nominal voltage	[VDC]	24
Nominal voltage range	[VDC]	18 .. 26.4
Speed	[min ⁻¹]	4400
Power input	[W]	5.0
Min. ambient temperature	[°C]	-20
Max. ambient temperature	[°C]	70
Air flow	[m ³ /h]	28
Sound power level	[B]	5.7

ml = max. load · me = max. efficiency · rfa = running at free air · cs = customer specs · cu = customer unit
Subject to alterations

Technical features

Dimensions	76 x 76 x 27 mm
General description	Pressure-optimized housing. Noise-optimized air outlet in the scroll housing. Forward-curved impeller. Electronic commutation completely integrated.
Connection line	Single strands AWG 26, TR 64, bared and tin-plated.
Locked-rotor protection	Electronic blocking protection
Direction of air flow	Axial air intake, centrifugal air exhaust out of the outlet.
Bearing	Ball bearings
Lifetime L10 at 40 °C	60000 h
Lifetime L10 at maximum temperature	30000 h
Mass	0.075 kg
Housing material	Scroll housing of fiberglass-reinforced plastic.
Material of impeller	Fiberglass-reinforced plastic
Motor protection	Protected against reverse polarity and locking.
Option	Speed signal
Approval	VDE, CSA, UL, CE

Product drawing



Charts: Air flow

