



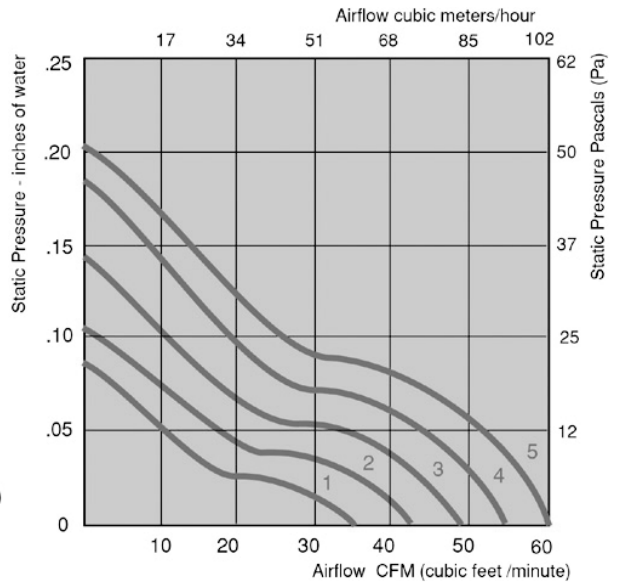
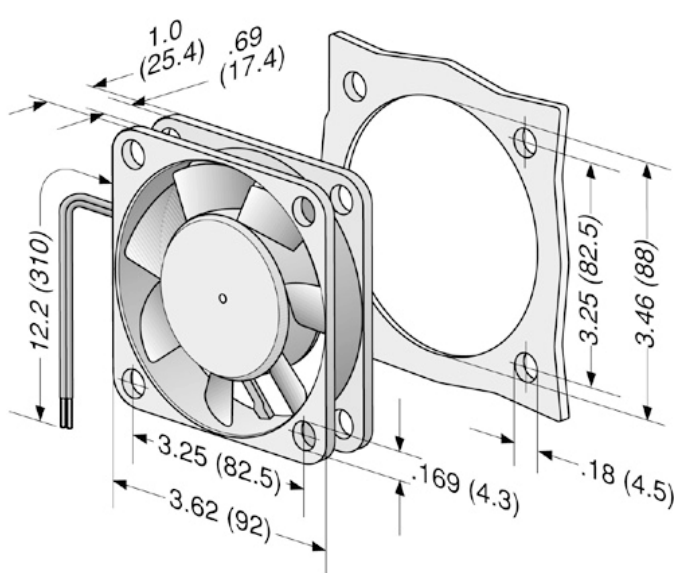
3400N Series

Tubeaxial

92x92x25mm

- DC fans with electronically commutated external rotor motor. Fully integrated commutation electronics.
- With electronic protection against reverse polarity, blocking and overloading; partially impedance protected.
- Mounting from either face using four 4.3 mm holes.
- Fan of fiberglass reinforced plastic. PBTP housing, PA impeller.
- Air exhaust over struts. Rotational direction CCW looking at rotor.
- Electrical connection via 2 leads AWG 24, TR 64. Stripped and tinned ends.
- UL, CSA, VDE approvals on some models, please contact application engineering.

Part Number	CFM @ 0	Curve	Volts	Voltage Range	Power (W)	dBA	Max Ambient Temp C	Wgt. (lbs)	Type Of Bearing	Features
3412NGL	36	1	12	8 to 15	1.2	23	70	0.31	Sintec	Leads
3412NL	36	1	12	8 to 15	1.2	23	70	0.31	Ball	Leads
3412NGM	42	2	12	8 to 15	1.6	28	70	0.31	Sintec	Leads
3412NM	42	2	12	8 to 15	1.6	28	70	0.31	Ball	Leads
3412N	49	3	12	8 to 15	2.2	32	70	0.31	Ball	Leads
3412NG	49	3	12	8 to 15	2.2	32	70	0.31	Sintec	Leads
3412NGH	55	4	12	8 to 15	2.5	36	70	0.31	Sintec	Leads
3412NH	55	4	12	8 to 15	2.5	36	70	0.31	Ball	Leads
3412NHH	60	5	12	8 to 13.2	3.2	39	60	0.31	Ball	Leads
3412NGHH	60	5	12	8 to 13.2	3.2	39	60	0.31	Sintec	Leads
<hr/>										
3414NGL	36	1	24	18 to 28	1.4	23	70	0.31	Sintec	Leads
3414NL	36	1	24	18 to 28	1.4	23	70	0.31	Ball	Leads
3414NM	42	2	24	18 to 28	1.8	28	70	0.31	Ball	Leads
3414NGM	42	2	24	18 to 28	1.8	28	70	0.31	Sintec	Leads



e-mail: sales@ebm.com • TEL: 860-674-1515 • FAX: 860-674-8536
 ebm Industries, Inc., 100 Hyde Road, Farmington, CT 06034 USA

ebm Industries, Inc., 2003 © ebm Industries, Inc. reserves the right to change any specifications or data without notice



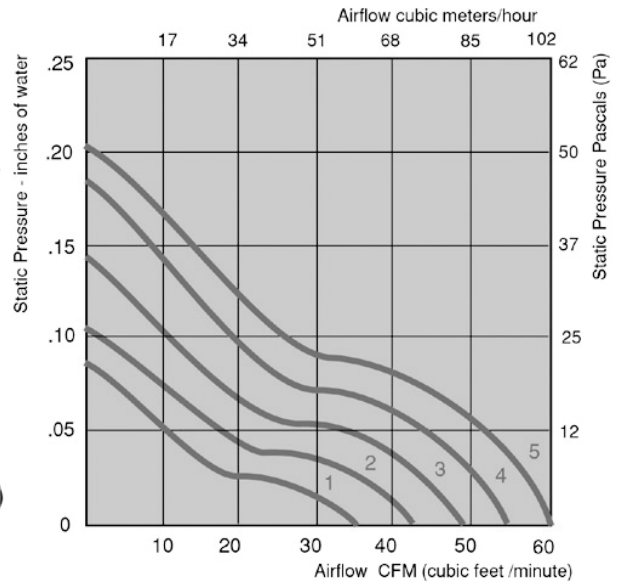
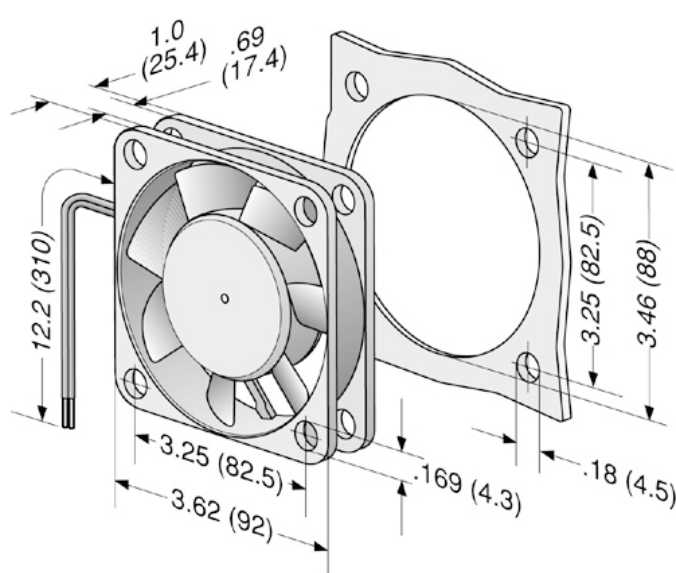
3400N Series

Tubeaxial

92x92x25mm

- DC fans with electronically commutated external rotor motor. Fully integrated commutation electronics.
- With electronic protection against reverse polarity, blocking and overloading; partially impedance protected.
- Mounting from either face using four 4.3 mm holes.
- Fan of fiberglass reinforced plastic. PBTP housing, PA impeller.
- Air exhaust over struts. Rotational direction CCW looking at rotor.
- Electrical connection via 2 leads AWG 24, TR 64. Stripped and tinned ends.
- UL, CSA, VDE approvals on some models, please contact application engineering.

Part Number	CFM @ 0	Curve	Volts	Voltage Range	Power (W)	dBA	Max Ambient Temp C	Wgt. (lbs)	Type Of Bearing	Features
3414N	49	3	24	18 to 28	2.3	32	70	0.31	Ball	Leads
3414NG	49	3	24	18 to 28	2.3	32	70	0.31	Sintec	Leads
3414NGH	55	4	24	18 to 26	3.0	36	70	0.31	Sintec	Leads
3414NH	55	4	24	18 to 26	3.0	36	70	0.31	Ball	Leads
3414NGHH	60	5	24	18 to 26	3.2	39	70	0.31	Sintec	Leads
3414NHH	60	5	24	18 to 26	3.2	39	70	0.31	Ball	Leads



e-mail: sales@ebm.com • TEL: 860-674-1515 • FAX: 860-674-8536
 ebm Industries, Inc., 100 Hyde Road, Farmington, CT 06034 USA

ebm Industries, Inc., 2003 © ebm Industries, Inc. reserves the right to change any specifications or data without notice