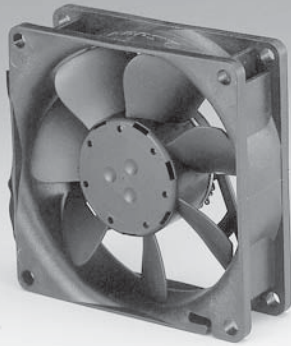


8400N Series

Tubeaxial

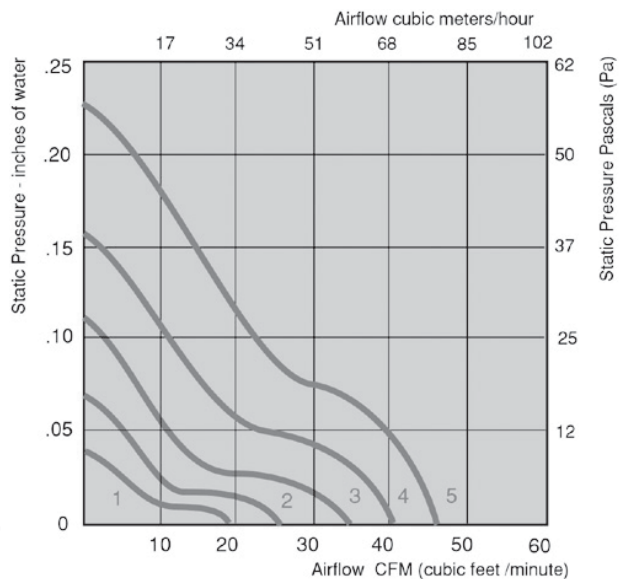
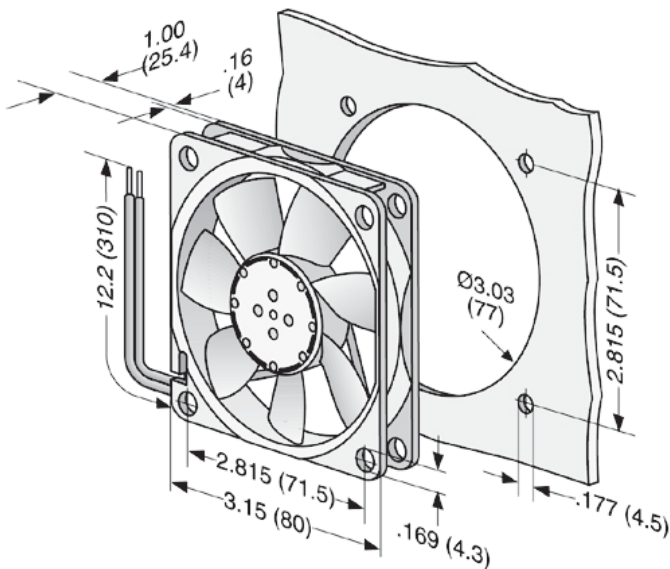
80x80x25mm



- DC fans with electronically commutated external rotor motor. Fully integrated commutation electronics.
- With electronic protection against reverse polarity, blocking and overloading; partially impedance protected.
- Mounting from either face using four 4.3 mm holes.

- Fan of fiberglass reinforced plastic. PBTP housing, PA impeller.
- Air exhaust over struts. Rotational direction CCW looking at rotor.
- Electrical connection via 2 leads AWG 24, TR 64. Stripped and tinned ends.
- UL, CSA, VDE approvals on some models, please contact application engineering.

| Part Number | Curve | CFM @ 0 | VDC | Volt. Range | Power (W) | dBA | Max Amb. Temp C | Bearing Type | Features | Wgt. (lbs) |
|-------------|-------|---------|-----|-------------|-----------|-----|-----------------|--------------|----------|------------|
| 8412NGL | 1 | 19 | 12 | 8 to 15 | 0.6 | 12 | 70 | Sintec | Leads | 0.31 |
| 8412NL | 1 | 19 | 12 | 8 to 15 | 0.6 | 17 | 70 | Ball | Leads | 0.31 |
| 8412NGML | 2 | 27 | 12 | 8 to 15 | 0.9 | 19 | 70 | Sintec | Leads | 0.31 |
| 8412NML | 2 | 27 | 12 | 8 to 15 | 0.9 | 21 | 70 | Ball | Leads | 0.31 |
| 8412NGM | 3 | 34 | 12 | 8 to 15 | 1.3 | 26 | 70 | Sintec | Leads | 0.31 |
| 8412NM | 3 | 34 | 12 | 8 to 15 | 1.3 | 27 | 70 | Ball | Leads | 0.31 |
| 8412NG | 4 | 41 | 12 | 8 to 15 | 2.0 | 32 | 70 | Sintec | Leads | 0.31 |
| 8412N | 4 | 41 | 12 | 8 to 15 | 2.0 | 32 | 70 | Ball | Leads | 0.31 |
| 8412NH | 5 | 47 | 12 | 8 to 13.2 | 2.2 | 37 | 70 | Ball | Leads | 0.31 |
| 8412NGH | 5 | 47 | 12 | 8 to 13.2 | 2.2 | 37 | 70 | Sintec | Leads | 0.31 |
| | | | | | | | | | | |
| 8414NL | 1 | 19 | 24 | 18 to 28 | 0.7 | 17 | 70 | Ball | Leads | 0.31 |
| 8414NGL | 1 | 19 | 24 | 18 to 28 | 0.7 | 12 | 70 | Sintec | Leads | 0.31 |
| 8414NML | 2 | 27 | 24 | 18 to 28 | 1.1 | 21 | 70 | Ball | Leads | 0.31 |
| 8414NGML | 2 | 27 | 24 | 18 to 28 | 1.1 | 19 | 70 | Sintec | Leads | 0.31 |



ebmpapst

e-mail: sales@us.ebmpapst.com · TEL: 860-674-1515 · FAX: 860-674-8536

ebm-papst Inc., 100 Hyde Road, Farmington, CT 06034 USA

ebm-papst Inc., 2004 © ebm-papst Inc. reserves the right to change any specifications or data without notice

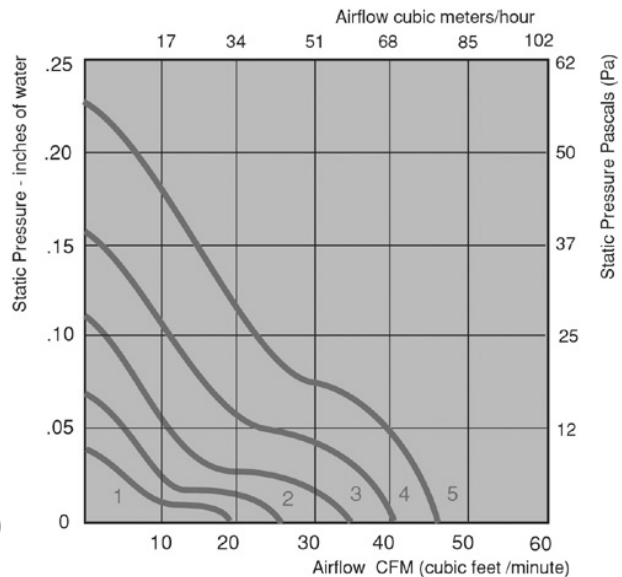
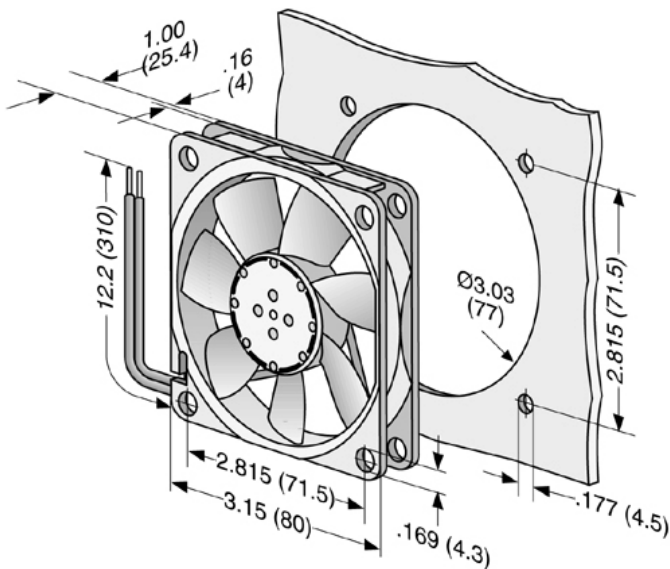
8400N Series cont. Tubeaxial

80x80x25mm



- DC fans with electronically commutated external rotor motor. Fully integrated commutation electronics.
- With electronic protection against reverse polarity, blocking and overloading; partially impedance protected.
- Mounting from either face using four 4.3 mm holes.
- Fan of fiberglass reinforced plastic. PBTP housing, PA impeller.
- Air exhaust over struts. Rotational direction CCW looking at rotor.
- Electrical connection via 2 leads AWG 24, TR 64. Stripped and tinned ends.
- UL, CSA, VDE approvals on some models, please contact application engineering.

| Part Number | Curve | CFM @ 0 | VDC | Volt. Range | Power (W) | dBA | Max Amb. Temp C | Bearing Type | Features | Wgt. (lbs) |
|-------------|-------|---------|-----|-------------|-----------|-----|-----------------|--------------|----------|------------|
| 8414NGM | 3 | 34 | 24 | 18 to 28 | 1.4 | 26 | 70 | Sintec | Leads | 0.31 |
| 8414NM | 3 | 34 | 24 | 18 to 28 | 1.4 | 27 | 70 | Ball | Leads | 0.31 |
| 8414N | 4 | 41 | 24 | 18 to 28 | 2.0 | 32 | 70 | Ball | Leads | 0.31 |
| 8414NG | 4 | 41 | 24 | 18 to 28 | 2.0 | 32 | 70 | Sintec | Leads | 0.31 |
| 8414NGH | 5 | 47 | 24 | 18 to 28 | 2.4 | 37 | 70 | Sintec | Leads | 0.31 |
| 8414NH | 5 | 47 | 24 | 18 to 26 | 2.4 | 37 | 70 | Ball | Leads | 0.31 |



ebmpapst

e-mail: sales@us.ebmpapst.com · TEL: 860-674-1515 · FAX: 860-674-8536

ebm-papst Inc., 100 Hyde Road, Farmington, CT 06034 USA

ebm-papst Inc., 2004 © ebm-papst Inc. reserves the right to change any specifications or data without notice