


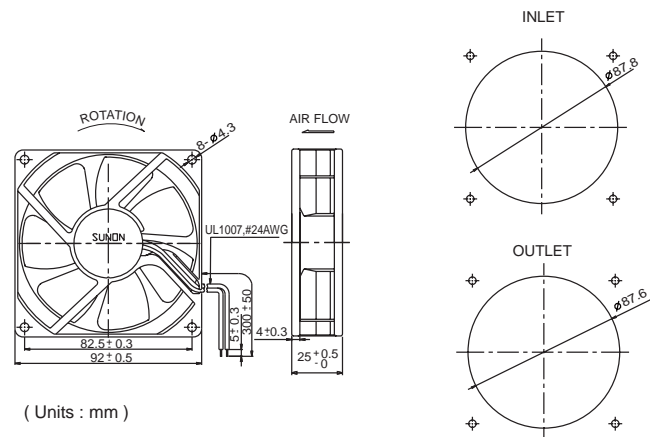
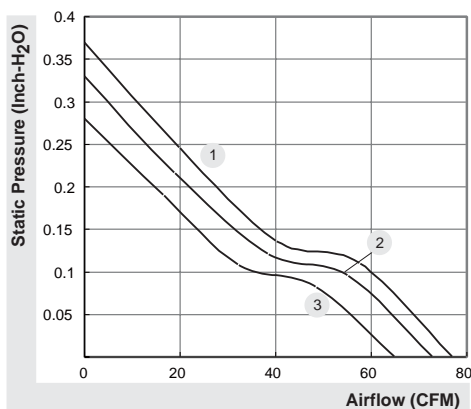
92x92x25 mm

65~77 CFM



	P/N	Bearing	Rating Voltage (VDC)	Power Current (AMP)	Power Consumption (WATTS)	Speed (RPM)	Air Flow (CFM)	Static Pressure (Inch-H ₂ O)	Noise (dBA)	Weight (g)	Curve
PMD1209PTV1-A	GN	●	12	0.47	5.6	4200	77	0.37	47	120	1
PMD1209PTV2-A	GN	●	12	0.40	4.8	3900	73	0.33	44	120	2
PMD1209PTV3-A	GN	●	12	0.31	3.7	3600	65	0.28	42	120	3
PMD2409PTV1-A	GN	●	24	0.25	6.0	4200	77	0.37	47	120	1
PMD2409PTV2-A	GN	●	24	0.20	4.8	3900	73	0.33	44	120	2
PMD2409PTV3-A	GN	●	24	0.16	3.8	3600	65	0.28	42	120	3
PMD4809PTV1-A	GN	●	48	0.15	7.2	4200	77	0.37	47	120	1
PMD4809PTV2-A	GN	●	48	0.12	5.8	3900	73	0.33	44	120	2
PMD4809PTV3-A	GN	●	48	0.09	4.3	3600	65	0.28	42	120	3

Model	P/N	2BALL Sleeve	(VDC)	(AMP)	(WATTS)	(RPM)	(CFM)	(Inch-H ₂ O)	(dBA)	(g)	Curve
PMD1209PTB1-A	(2).GN	⊗	12	0.46	5.5	4200	77	0.37	48	120	1
PMD1209PTB2-A	(2).GN	⊗	12	0.38	4.6	3900	73	0.33	45	120	2
PMD1209PTB3-A	(2).GN	⊗	12	0.30	3.6	3600	65	0.28	43	120	3
PMD2409PTB1-A	(2).GN	⊗	24	0.24	5.8	4200	77	0.37	48	120	1
PMD2409PTB2-A	(2).GN	⊗	24	0.19	4.6	3900	73	0.33	45	120	2
PMD2409PTB3-A	(2).GN	⊗	24	0.15	3.6	3600	65	0.28	43	120	3
PMD4809PTB1-A	(2).GN	⊗	48	0.14	6.7	4200	77	0.37	48	120	1
PMD4809PTB2-A	(2).GN	⊗	48	0.12	5.8	3900	73	0.33	45	120	2
PMD4809PTB3-A	(2).GN	⊗	48	0.09	4.3	3600	65	0.28	43	120	3



*All model could be customized. Please contact with Sunon Sales.

*Specifications subject to change without notice. Please Visit SUNON web site at <http://www.sunon.com> for update information.