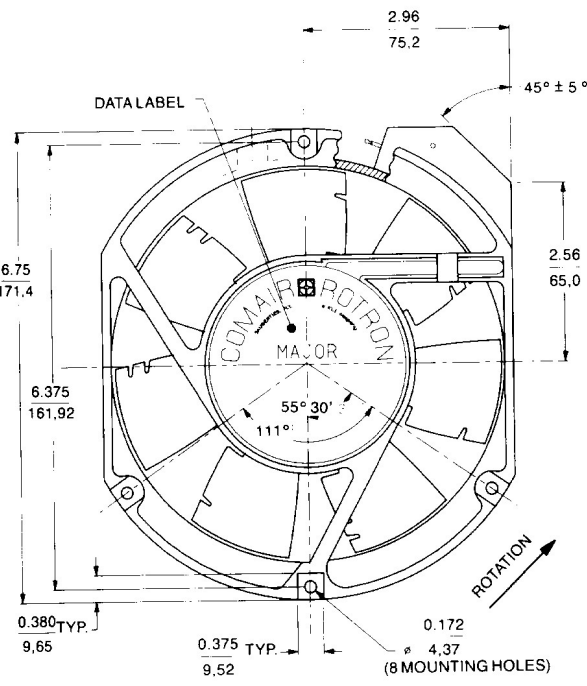


DIMENSIONS	in	mm	±
TOLERANCES	xx=	.03	0.8
	xxx=	.010	.25
ANGULAR ±5° (UNLESS NOTED)			



Specifications subject to change without notice.