



Galaxy - GL48B7 - 031377 - No
 (Family) (Model) (Part #) (In Stock)

Electrical Specifications

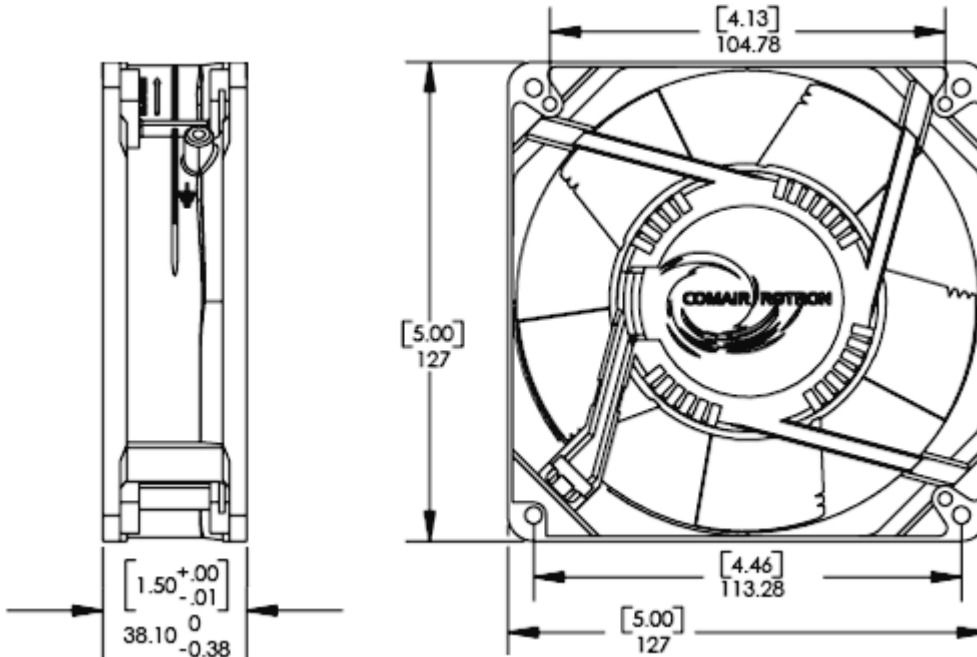
Operating Voltage:	48 Volts
Voltage Range:	24 - 56 Volts
Power Supply:	15.0 Watts
Line Current:	0.31 Amps
Locked Rotor Current	0.93 Amps
Nominal Speed:	3250 RPM

Mechanical Specifications

Dimensions:	5.0 x 5.0 x 1.5 in
Weight	21.87 oz
Max Airflow @ 0 in H ₂ O	150.0 CFM
Max Pressure @ 0 CFM	0.486 in H ₂ O
Noise	53.6 dBA



Mechanical Drawing



Comair Rotron, Inc.
 Phone: 619.651.2000
 sales@comairrotron.com

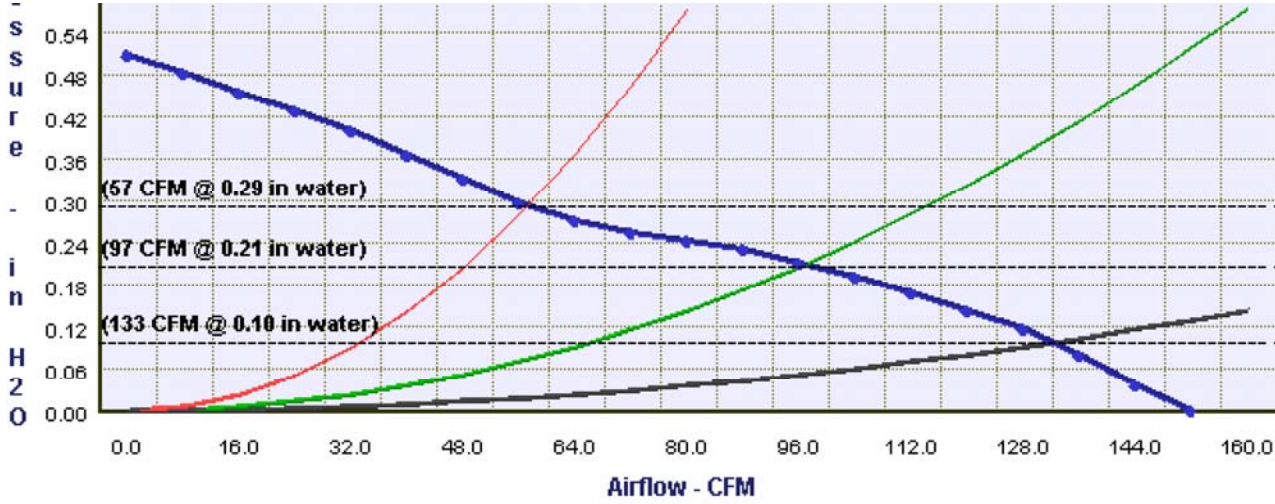
Comair Rotron Europe, Ltd.
 Phone: +44.1527.520525
 saleseurope@comairrotron.com

Comair Rotron Fan Company Ltd.
 Phone: +86.21.52260581
 salesasia@comairrotron.com

Print Date: Friday, February 12, 2010 at 09:37:32 - DC Fan Datasheet - Web Version 1.0 Rev. B



Fan Performance Curve



Fan Configuration Options

Galaxy (Family) **GL48B7** (Model) / **031377** (Part #) **No** (In Stock) 305 mm [12 inch] Leads (Features)

Fan Speed: 3250 RPM Fan Bearings: Ball Bearings
 Fan Airflow Direction: Flow R (CCW Rotation) Fan Termination: Leads

Fan Monitoring Options: TTL (+5V) Tachometer Output

Fan Speed Control Option: No ThermaPro-V Fan Speed Control Options Selected

Environmental Protection Options: No Enviroshield Options Selected

Comair Rotron, Inc.
 Phone: 619.651.2000
 sales@comairrotron.com

Comair Rotron Europe, Ltd.
 Phone: +44.1527.520525
 saleseurope@comairrotron.com

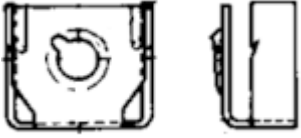
Comair Rotron Fan Company Ltd.
 Phone: +86.21.52260581
 salesasia@comairrotron.com

Print Date: Friday, February 12, 2010 at 09:37:32 - DC Fan Datasheet - Web Version 1.0 Rev. B



Accessories (Click on part number for detailed drawing.)

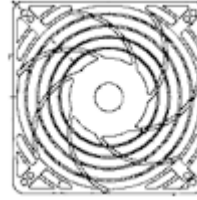
550113
Mounting Clip



557216
Finger Guard



550651
Finger Guard



Comair Rotron, Inc.
Phone: 619.651.2000
sales@comairrotron.com

Comair Rotron Europe, Ltd.
Phone: +44.1527.520525
saleseurope@comairrotron.com

Comair Rotron Fan Company Ltd.
Phone: +86.21.52260581
salesasia@comairrotron.com

Print Date: Friday, February 12, 2010 at 09:37:32 - DC Fan Datasheet - Web Version 1.0 Rev. B