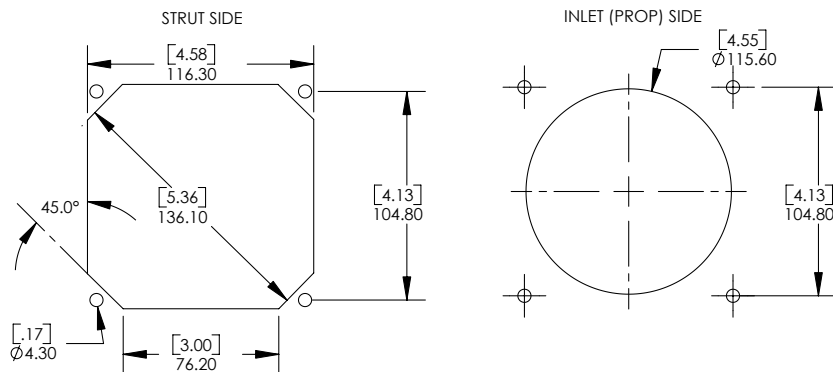


RECOMMENDED CUTOUTS



CONTACT INFO: WWW.COMAIRROTRON.COM		SALES@COMAIRROTRON.COM
TOLERANCE UNLESS OTHERWISE SPECIFIED 2 PL. DEC. ± .03 [.8] 3 PL. DEC. ± .010 [.25] ANGULAR ± 30'	AMERICAN PROJECTION [IN] [MM]	(619) 661 - 6688 3D MODEL FOUND AT..
MUFFIN XL DC		