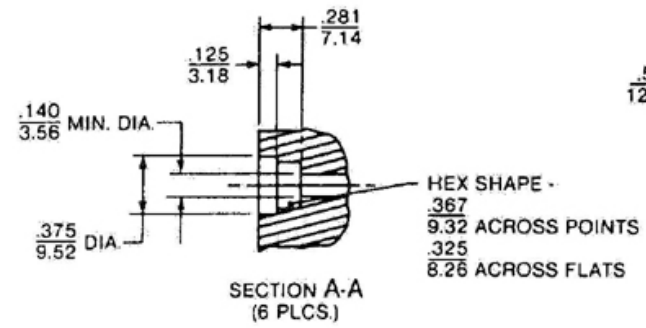
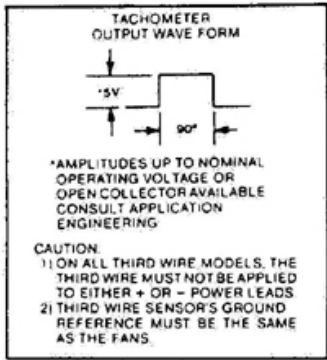
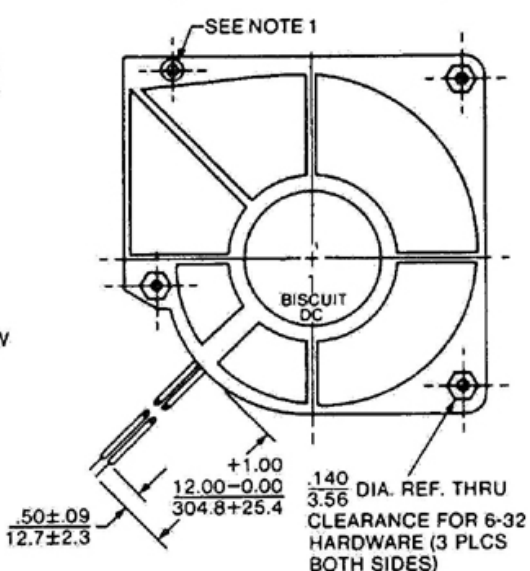


- NOTES:
1. NOT INTENDED FOR USE AS MOUNTING HOLE
 2. ALL LEADWIRES 22 AWG, U.L. STYLE 1061
 3. POWER LEADS (-) BLACK (+) RED
 4. NON-INSULATED TACHOMETER OUTPUT (WHEN SPECIFIED), ADDS ONE ADDITIONAL BLUE WITH WHITE TRACER LEAD (SAME LENGTH AS POWER LEADS). (SEE PAGE 60 FOR DETAILS.)



DIMENSIONS:	$\frac{\text{in}}{\text{mm}} \pm$
TOLERANCES:	.xx = 0.03
	0.8
	.xxx = 0.10
ANGULAR ± 2°	.25
(UNLESS NOTED)	

Specifications subject to change without notice.