



**Sprite - SD24B2 - 032002 - No**  
 (Family) (Model) (Part #) (In Stock)

**Electrical Specifications**

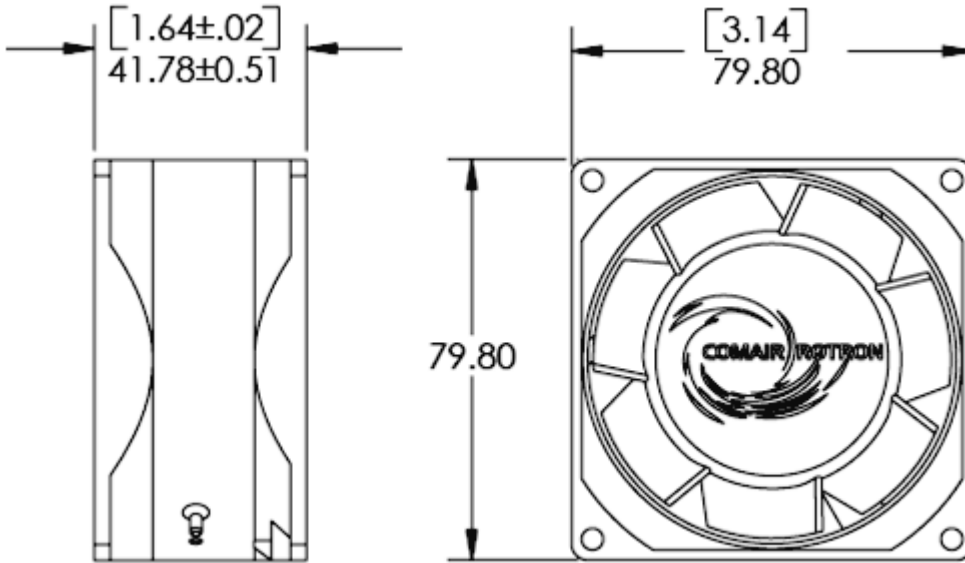
**Operating Voltage:** 24 Volts  
**Voltage Range:** 12 - 28 Volts  
**Power Supply:** 3.0 Watts  
**Line Current:** 0.13 Amps  
**Locked Rotor Current:** 0.60 Amps  
**Nominal Speed:** 3500 RPM

**Mechanical Specifications**

**Dimensions:** 3.1 x 3.1 x 1.7 in  
**Weight:** 17.99 oz  
**Max Airflow @ 0 in H<sub>2</sub>O:** 35.0 CFM  
**Max Pressure @ 0 CFM:** 0.152 in H<sub>2</sub>O  
**Noise:** 47.6 dBA



**Mechanical Drawing**



**Comair Rotron, Inc.**  
 Phone: 619.651.2000  
 sales@comairrotron.com

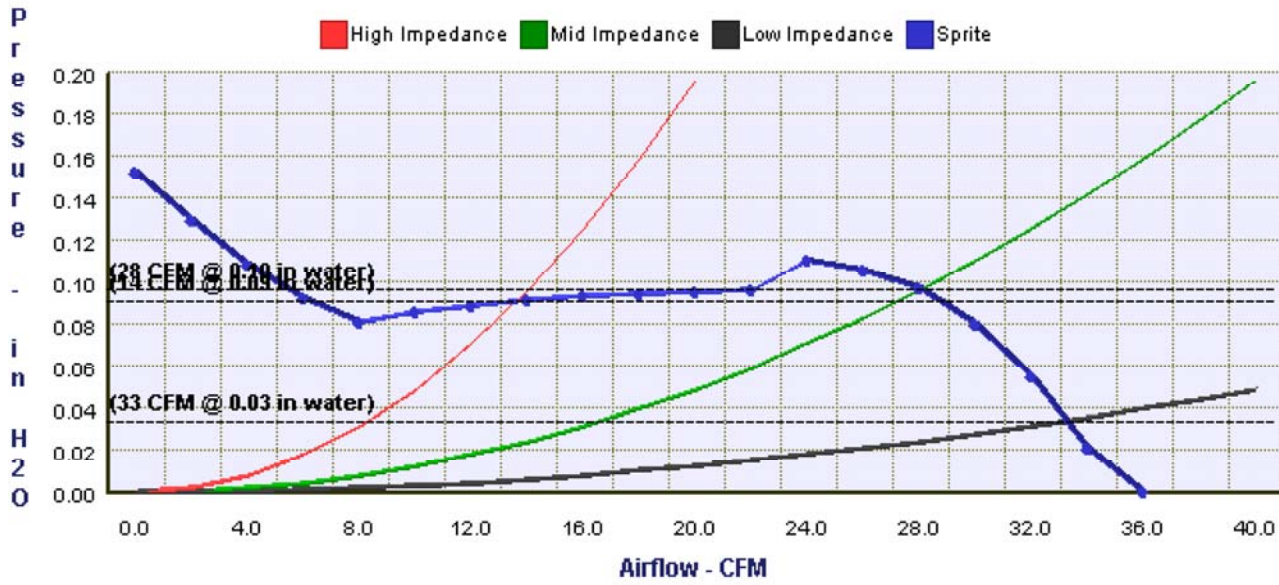
**Comair Rotron Europe, Ltd.**  
 Phone: +44.1527.520525  
 saleseurope@comairrotron.com

**Comair Rotron Fan Company Ltd.**  
 Phone: +86.21.52260581  
 salesasia@comairrotron.com

Print Date: Friday, November 20, 2009 at 12:31:15 - DC Fan Datasheet - Web Version 1.0 Rev. B



## Fan Performance Curve



## Fan Configuration Options

**Sprite** (Family)      **SD24B2** (Model)      /      **032002** (Part #)      **No** (In Stock)      **Terminals** (Features)

**Fan Speed:** 3500 RPM      **Fan Bearings:** Ball Bearings  
**Fan Airflow Direction:** Flow L (CW Rotation)      **Fan Termination:** Terminals

**Fan Monitoring Options:** No Fan Monitoring Options Selected

**Fan Speed Control Option:** No ThermaPro-V Fan Speed Control Options Selected

**Environmental Protection Options:** No Enviroshield Options Selected

Comair Rotron, Inc.  
 Phone: 619.651.2000  
 sales@comairrotron.com

Comair Rotron Europe, Ltd.  
 Phone: +44.1527.520525  
 saleseurope@comairrotron.com

Comair Rotron Fan Company Ltd.  
 Phone: +86.21.52260581  
 salesasia@comairrotron.com

Print Date: Friday, November 20, 2009 at 12:31:15 - DC Fan Datasheet - Web Version 1.0 Rev. B

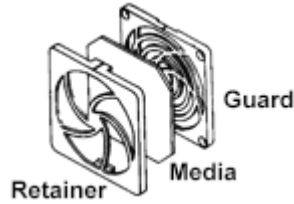


**Accessories** (Click on part number for detailed drawing.)

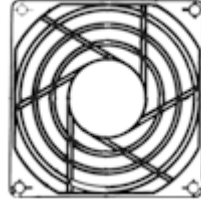
**571064**  
**Plug and Cord**



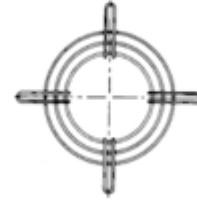
**554141**  
**Filter Guard Assembly**



**550648**  
**Finger Guard**



**476143**  
**Finger Guard**



**Comair Rotron, Inc.**  
Phone: 619.651.2000  
sales@comairrotron.com

**Comair Rotron Europe, Ltd.**  
Phone: +44.1527.520525  
saleseurope@comairrotron.com

**Comair Rotron Fan Company Ltd.**  
Phone: +86.21.52260581  
salesasia@comairrotron.com

Print Date: Friday, November 20, 2009 at 12:31:15 - DC Fan Datasheet - Web Version 1.0 Rev. B