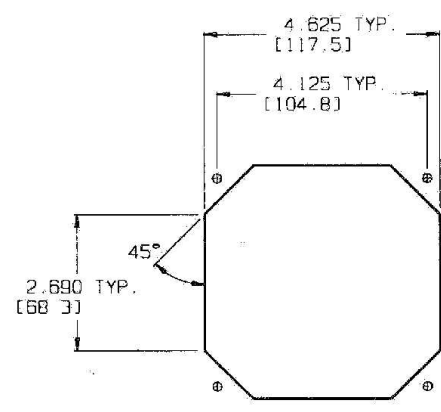


INLET (PROP) SIDE



EXHAUST SIDE

DIMENSIONS: in [mm] ±  
 TOLERANCES: .XX= .03 [0.8]  
 XXX= .010 [.25]  
 ANGULAR ±5°  
 (UNLESS NOTED)

+1.00  
 12.00-0.00  
 [304.8+25.4]

ALL LEADWIRES 22 AWG. U.L.  
 STYLE 1061  
 (-) BLACK, (+) RED  
 STRIPPED .50±.09/[12.7±2.3]