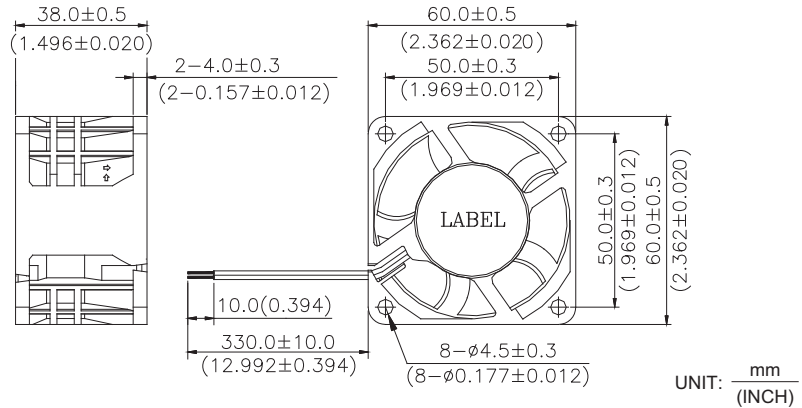


AFB 60 x 60 x 38 MM SERIES

DIMENSIONS DRAWING

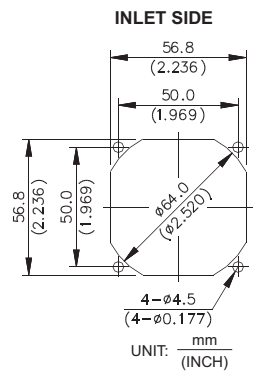
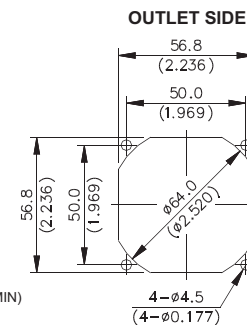
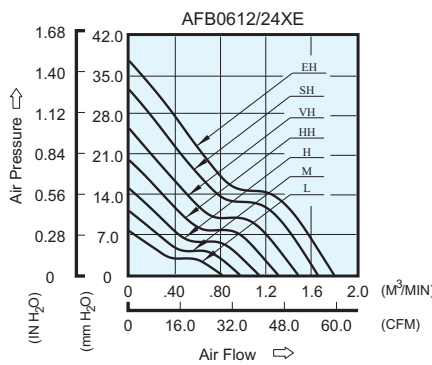


UNIT: $\frac{\text{mm}}{\text{(INCH)}}$

- * Bearing Type
Ball Bearings
- * Material
Impeller & Frame : Plastic (UL 94V-0)
- * Lead Wires :
UL 1007 AWG #24 OR Equivalent
Red Wire Positive (+)
Black Wire Negative (-)
- * Weight : 117g (4.13 oz)

P & Q CURVE (AT RATED VOLTAGE)

MOUNTING PANEL CUTOUT



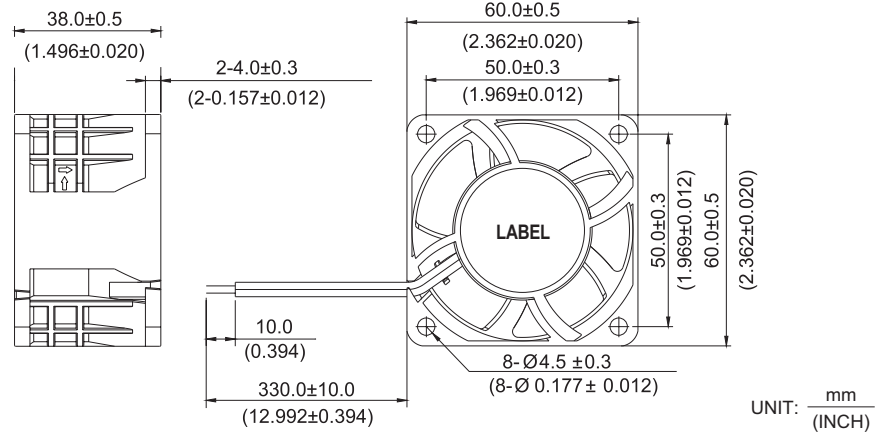
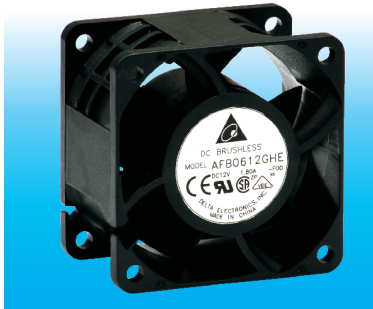
UNIT: $\frac{\text{mm}}{\text{(INCH)}}$

MODEL		Rated Voltage	Operating Voltage Range	Input Current	Input Power	Speed	Maximum Air Flow		Maximum Air Pressure		Noise
PART NO.	FUNCTION	VDC	VDC	Amp	Watt	R.P.M.	m ³ /min	CFM	mmH ₂ O	IN H ₂ O	dB-A
AFB0612LE	-R00 / -F00	12	7.0 to 13.8	0.13	2.76	5000	0.816	28.81	7.76	0.306	37.0
AFB0624LE	-R00 / -F00	24	14.0 to 27.6	0.23	3.12						
AFB0612ME	-R00 / -F00	12	7.0 to 13.8	0.33	3.96	6000	0.972	34.34	11.23	0.442	42.0
AFB0624ME	-R00 / -F00	24	14.0 to 27.6	0.18	4.32						
AFB0612HE	-R00 / -F00	12	7.0 to 13.8	0.45	5.40	7000	1.139	40.22	15.18	0.598	46.0
AFB0624HE	-R00 / -F00	24	14.0 to 27.6	0.25	6.00						
AFB0612HHE	-R00 / -F00	12	7.0 to 13.8	0.68	8.16	8000	1.307	46.17	20.14	0.793	50.0
AFB0624HHE	-R00 / -F00	24	14.0 to 27.6	0.38	9.12						
AFB0612VHE	-R00 / -F00	12	7.0 to 13.8	0.85	10.2	9000	1.481	52.30	25.71	1.012	53.5
AFB0612SHE	-R00 / -F00	12	7.0 to 13.8	1.10	13.2	10000	1.651	58.32	32.50	1.280	56.5
AFB0612EHE	-R00 / -F00	12	7.0 to 13.2	1.40	16.8	11000	1.796	63.44	37.55	1.478	60.0

* Function type is optional.
 * The max. air flow and the speed are measured in free air ; max. air pressure is measured at zero air flow.
 * Noise is measured in anechoic chamber in free air, one meter from intake side.
 * All readings are typical values at rated voltage.
 * Specifications are subject to change without notice.

AFB 60 x 60 x 38 MM SERIES

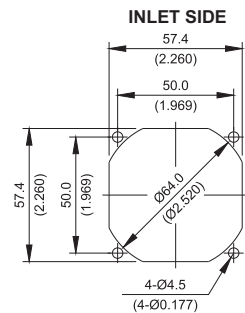
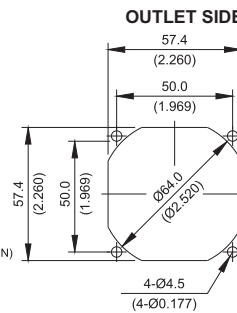
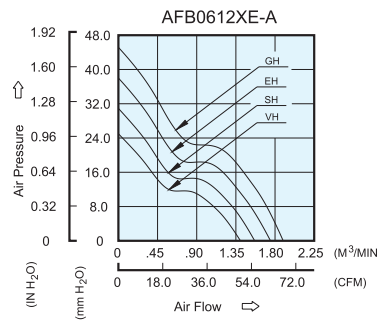
DIMENSIONS DRAWING



- * Bearing Type
Ball Bearings
- * Material
Impeller & Frame: Plastic (UL94V-0)
- * Lead Wires :
UL 1007 AWG #24 OR Equivalent
Red Wire Positive (+)
Black Wire Negative (-)
- * Weight : 117g (4.12 oz)

P & Q CURVE (AT RATED VOLTAGE)

MOUNTING PANEL CUTOUT



UNIT: $\frac{\text{mm}}{(\text{INCH})}$

MODEL			Rated Voltage	Operating Voltage Range	Input Current	Input Power	Speed	Maximum Air Flow		Maximum Air Pressure		Noise
PART NO.	REV.	FUNCTION	VDC	VDC	Amp	Watt	R.P.M.	m ³ /min	CFM	mmH ₂ O	IN H ₂ O	dB-A
AFB0612VHE	-A	-R00 / -F00	12	7.0 to 13.8	0.68	8.16	9000	1.403	49.54	25.00	0.984	54.0
AFB0612SHE	-A	-R00 / -F00	12	7.0 to 13.8	0.88	10.56	10000	1.566	55.29	30.92	1.217	57.0
AFB0612EHE	-A	-R00 / -F00	12	7.0 to 13.8	1.12	13.44	11000	1.748	61.72	38.00	1.496	60.0
AFB0612GHE	-A	-R00 / -F00	12	7.0 to 13.2	1.50	18.00	12000	1.890	66.75	44.17	1.739	61.5

* Function type is optional.
 * The max. air flow and the speed are measured in free air ; max. air pressure is measured at zero air flow.
 * Noise is measured in anechoic chamber in free air, one meter from intake side.
 * All readings are typical values at rated voltage.
 * Specifications are subject to change without notice