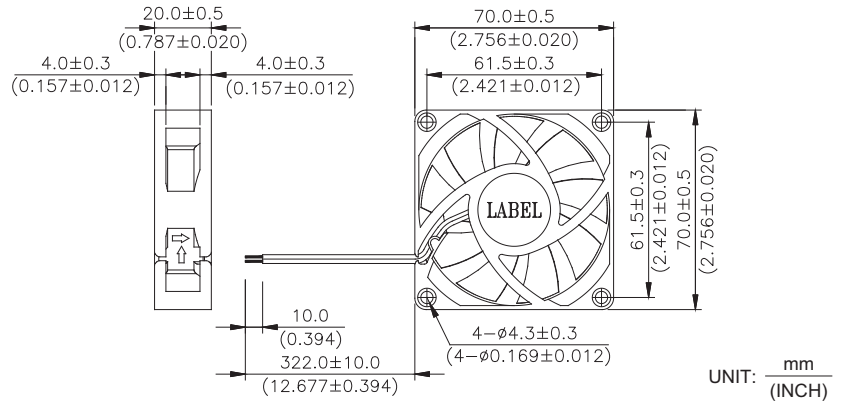
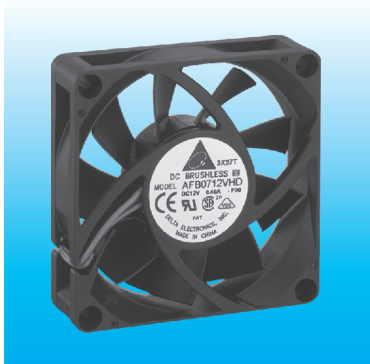


AFB 70 x 70 x 20 MM SERIES

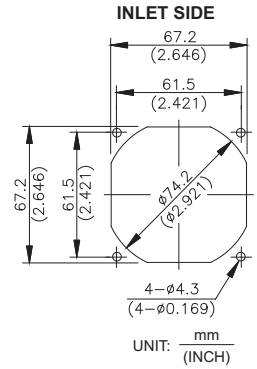
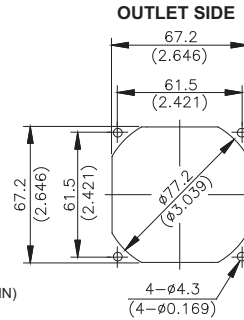
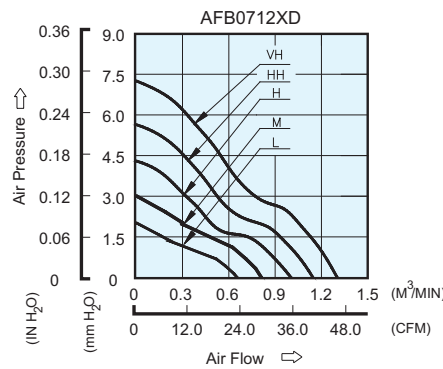
DIMENSIONS DRAWING



- * Bearing Type
Ball Bearings
- * Material
Impeller & Frame : Plastic (UL 94V-0)
- * Lead Wires :
UL 1007 AWG #24 OR Equivalent
Red Wire Positive (+)
Black Wire Negative (-)
- * Weight : 68g (2.40 oz)
- * Rib Type Only

P & Q CURVE (AT RATED VOLTAGE)

MOUNTING PANEL CUTOUT



| MODEL | | Rated Voltage | Operating Voltage Range | Input Current | Input Power | Speed | Maximum Air Flow | | Maximum Air Pressure | | Noise |
|------------|-------------|---------------|-------------------------|---------------|-------------|--------|----------------------|-------|----------------------|---------------------|-------|
| PART NO. | FUNCTION | VDC | VDC | Amp | Watt | R.P.M. | m ³ / min | CFM | mmH ₂ O | IN H ₂ O | dB-A |
| AFB0712LD | -R00 / -F00 | 12 | 5.0 to 13.8 | 0.06 | 0.72 | 2600 | 0.682 | 24.08 | 2.01 | 0.079 | 27.0 |
| AFB0712MD | -R00 / -F00 | 12 | 5.0 to 13.8 | 0.11 | 1.32 | 3200 | 0.826 | 29.16 | 2.99 | 0.117 | 32.0 |
| AFB0712HD | -R00 / -F00 | 12 | 5.0 to 13.8 | 0.18 | 2.16 | 3800 | 1.003 | 35.42 | 4.30 | 0.169 | 36.5 |
| AFB0712HHD | -R00 / -F00 | 12 | 5.0 to 13.8 | 0.25 | 3.00 | 4400 | 1.145 | 40.43 | 5.64 | 0.222 | 40.5 |
| AFB0712VHD | -R00 / -F00 | 12 | 5.0 to 13.2 | 0.35 | 4.20 | 5000 | 1.327 | 46.86 | 7.24 | 0.285 | 44.3 |

- * Function type is optional.
- * The max. air flow and the speed are measured in free air ; max. air pressure is measured at zero air flow.
- * Noise is measured in anechoic chamber in free air, one meter from intake side.
- * All readings are typical values at rated voltage.
- * Specifications are subject to change without notice.
- * Both of the ball bearing and the 1 ball + 1 Sleeve type are available.