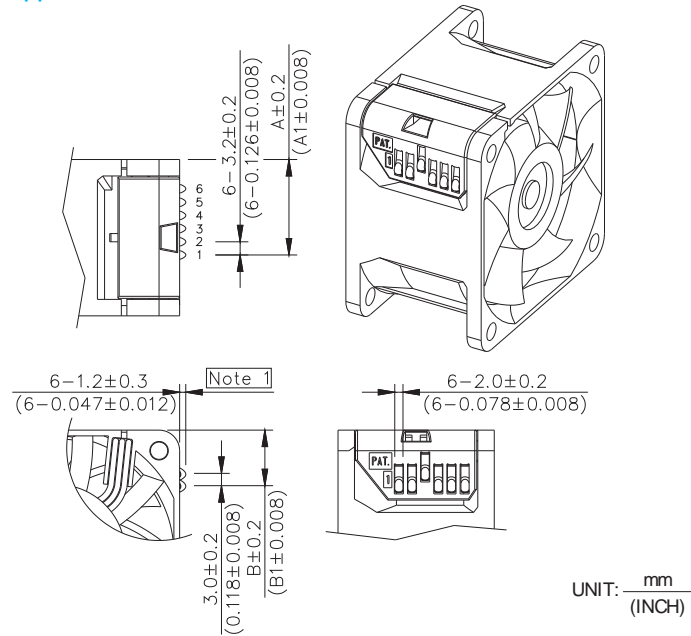


BRUSHLESS DC AXIAL FANS

HOT SWAPPABLE FAN

Pitch Dimensions Drawing of Hot-Swappable Connector:

- *Electrical
 - Voltage: 250V
 - Current: 5.0A max.
 - Contact Resistance: 20m W max.
- *Mechanical
 - Mating Force: 1.0kgf max (2.2lb) per contact
 - Normal Force: 325gf (0.72lb) per contact
- *Physical
 - Contact: Phosphor Bronze(Plating Gold over nickel)
 - Beryllium Bronze(Plating Gold over nickel,for GND pin)
 - Plating: Nickel
 - Housing: PC UL 94V-0



Note 1: The height of "GROND" pin is 2.2 0.3(0.087 0.012) mm for bottom contact application.

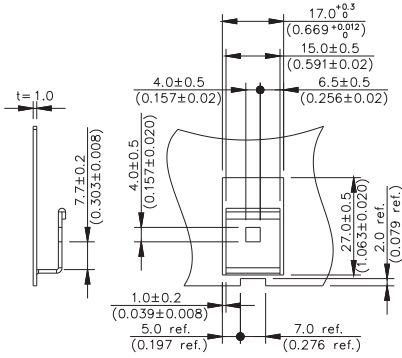
APPLIED MODEL		DIMENSION				MAX. PIN #
		A	A1	B	B1	
AFB, AUB	60x25	18.7	0.736	14.3	0.563	5
AFB, ASB, AUB, EFB, HUB	80x25	18.7	0.736	15.3	0.602	5
AFB, ASB, AUB, EFB, FFB	90x25	18.7	0.736	16.2	0.638	5
EFB, FFB	120x25	16.5	0.650	19.0	0.748	4
FFB	40x28	20.4	0.803	10.75	0.423	5
FFB	60x38	23.2	0.913	13.5	0.531	6
FFB	80x38	31.3	1.232	15.7	0.618	5
FFB	120x38	24.6	0.969	35.2	1.386	6
EFB	120x32	21.5	0.846	18.6	0.732	5
GFB	80x51	34.1	1.343	15.7	0.618	6

MODEL	ITEM	LEVER	FAN GUARD	FAN LED	LED	SIDE CONTACT	BOTTOM CONTACT	MATING CONNECTOR
AFB, AUB	60x25	键						
AFB, ASB, AUB, EFB, HUB	80x25	键						
AFB, ASB, AUB, EFB, FFB	90x25	键						
EFB, FFB	120x25	键						
FFB	40x28	-	-		-		-	
FFB	60x38	键						
FFB	80x38	键						
FFB	120x38	键						
EFB	120x32	键						
GFB	80x51	键						

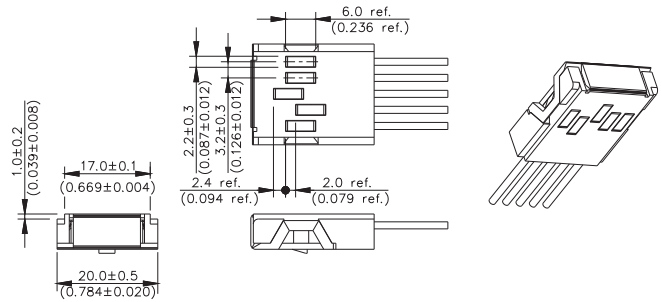
*●" Means these functions are optional, and can be designed in.
 * All performance are the same as base fan.
 * Specifications are subject to be changed without notice.

BRUSHLESS DC AXIAL FANS HOT SWAPPABLE FAN

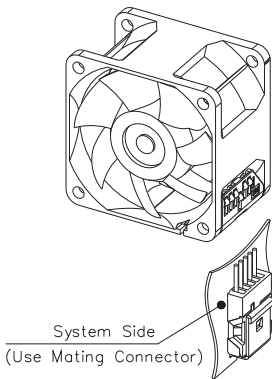
■ Mating Contact Fixed Bracket Dimensions Drawing:
(Advise)



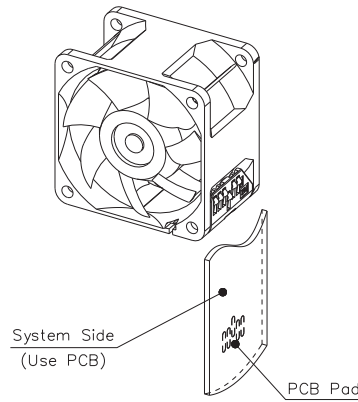
■ Mating Connector Dimensions Drawing:
(For Side Contact Use Only)



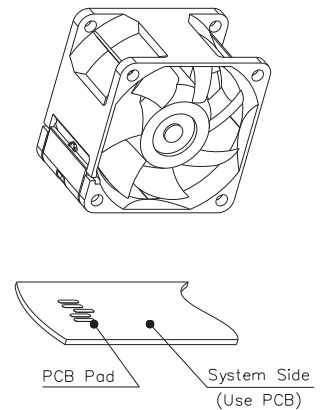
■ Application: Side Contact



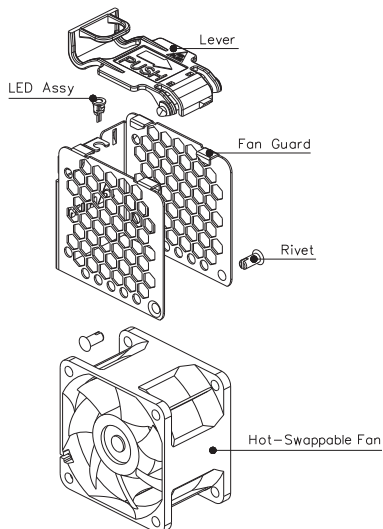
■ Application: Side Contact



■ Application: Bottom Contact



■ Exploded View:



■ Hot-Swappable Module View:

