

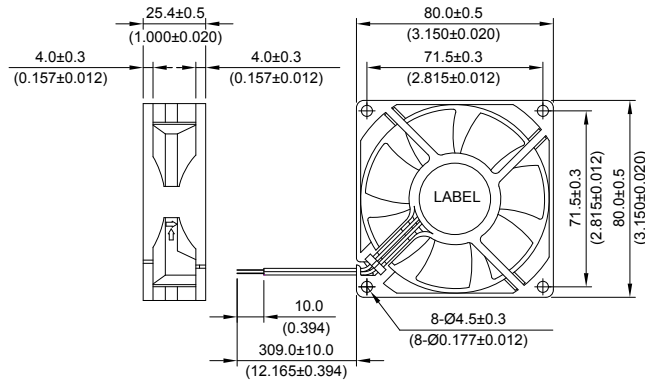
*New*



- \* Bearing Type  
Superflo Bearing
- \* Material  
Impeller & Frame : Plactic (UL 94V-0)
- \* Lead Wires :  
UL 1007 AWG #24 OR Equivalent  
Red Wire Positive (+)  
Black Wire Negative(-)
- \* Weight : 88g (3.10 OZ)

## AUB 80 x 80 x 25.4 MM SERIES

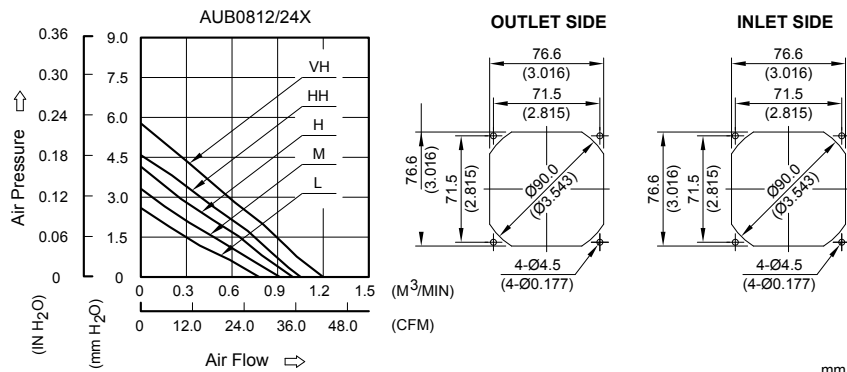
### DIMENSIONS DRAWING



UNIT: mm  
(INCH)

### P & Q CURVE (AT RATED VOLTAGE)

### MOUNTING PANEL CUTOUT



UNIT: mm  
(INCH)

MODEL		Rated Voltage	Operating Voltage Range	Rated Current	Rated Input Power	Speed	Maximum Air Flow		Maximum Air Pressure		Noise
PART NO.	FUNCTION	VDC	VDC	Amp	Watt	R.P.M.	m <sup>3</sup> /min	CFM	mmH <sub>2</sub> O	IN H <sub>2</sub> O	dB-A
AUB0812L	-R00 / -F00	12	7.0 to 13.8	0.09	1.08	2400	0.790	27.90	2.59	0.102	25.0
AUB0824L	-R00 / -F00	24	14.0 to 27.6	0.05	1.20						
AUB0812M	-R00 / -F00	12	7.0 to 13.8	0.12	1.44	2700	0.890	31.43	3.28	0.129	28.0
AUB0824M	-R00 / -F00	24	14.0 to 27.6	0.06	1.44						
AUB0812H	-R00 / -F00	12	7.0 to 13.8	0.17	2.04	3000	1.000	35.31	4.04	0.159	31.0
AUB0824H	-R00 / -F00	24	14.0 to 27.6	0.07	1.68						
AUB0812HH	-R00 / -F00	12	7.0 to 13.8	0.21	2.52	3250	1.060	37.43	4.59	0.181	34.0
AUB0824HH	-R00 / -F00	24	14.0 to 27.6	0.10	2.40						
AUB0812VH	-R00 / -F00	12	7.0 to 13.8	0.22	2.64	3600	1.190	42.02	5.51	0.217	38.0
AUB0824VH	-R00 / -F00	24	14.0 to 27.6	0.11	2.64						

- \* Function type is optional.
- \* The max. air flow and the speed are measured in free air ; max. air pressure is measured at zero air flow.
- \* Noise is measured in anechoic chamber in free air, one meter from intake side.
- \* All readings are typical values at rated voltage.
- \* Specifications are subject to change without notice.