

**ebm-papst St. Georgen GmbH & Co. KG**

Hermann-Papst-Straße 1

78112 St. Georgen

Phone: +49 7724 81-0

Fax: +49 7724 81-1309

www.ebmpapst.com

info2@de.ebmpapst.com

Nominal data

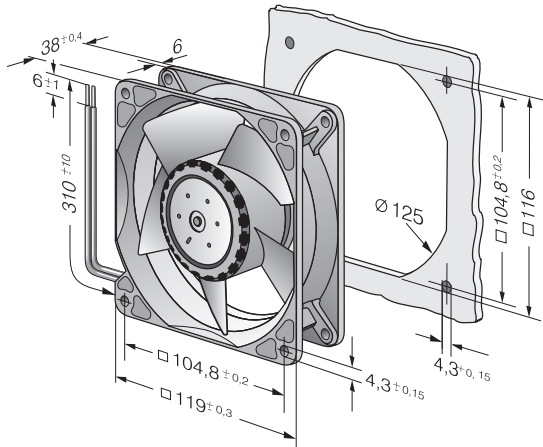
Type	4118 N/2H8P	
Nominal voltage	[VDC]	48
Nominal voltage range	[VDC]	36 .. 60
Speed	[min ⁻¹]	11000
Power input	[W]	120
Min. ambient temperature	[°C]	-20
Max. ambient temperature	[°C]	75
Air flow	[m ³ /h]	570
Sound power level	[B]	8.9
Sound pressure level	[dB(A)]	78

ml = max. load · me = max. efficiency · rfa = running at free air · cs = customer specs · cu = customer unit
Subject to alterations

Technical features

Dimensions	119 x 119 x 38 mm
General description	Very rigid compression curve for high air flow at high counterpressure. Low operating noise level at high counterpressure. Standard with PWM control input and speed signal. Very smooth running 3-phase fan drive. Electronic commutation completely integrated.
Connection line	Single strands AWG 20, sensor and control strands AWG 22, UL 1007, TR 64, bared and tin-plated.
Direction of protection	Clockwise, looking at rotor
Direction of air flow	Inlet over bars
Note	To reach the specified service life, we recommend wiring an external capacitor with 470 µF between the plus and minus strands. Speed control range from 500 rpm to maximum nominal speed. Standstill at 0% PWM, maximum speed at sensor break.
Bearing	Ball bearings
Lifetime L10 at 40 °C	55000 h
Lifetime L10 at maximum temperature	22500 h
Mass	0.425 kg
Housing material	Aluminum with grounding lug for screw M4 x 8 (TORX).
Material of impeller	Fiberglass-reinforced PA plastic
Motor protection	Protected against reverse polarity and locking.
Option	Other inputs and outputs. 36 to 72 VDC possible.

Product drawing



Charts: Air flow

