

**ebm-papst St. Georgen GmbH & Co. KG**

Hermann-Papst-Straße 1

78112 St. Georgen

Phone: +49 7724 81-0

Fax: +49 7724 81-1309

www.ebmpapst.com

info2@de.ebmpapst.com

**Nominal data**

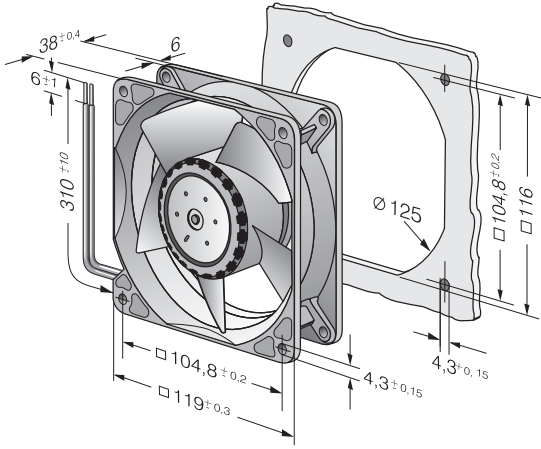
Type	4114 N/2H7P	
Nominal voltage	[VDC]	24
Nominal voltage range	[VDC]	16 .. 30
Speed	[min <sup>-1</sup> ]	9500
Power input	[W]	90
Min. ambient temperature	[°C]	-20
Max. ambient temperature	[°C]	75
Air flow	[m <sup>3</sup> /h]	500
Sound power level	[B]	8.5
Sound pressure level	[dB(A)]	76

ml = max. load · me = max. efficiency · rfa = running at free air · cs = customer specs · cu = customer unit  
 Subject to alterations

### Technical features

<b>Dimensions</b>	119 x 119 x 38 mm
<b>General description</b>	Very rigid compression curve for high air flow at high counterpressure. Low operating noise level at high counterpressure. Standard with PWM control input and speed signal. Very smooth running 3-phase fan drive. Electronic commutation completely integrated.
<b>Connection line</b>	Single strands AWG 20, sensor and control strands AWG 22, UL 1007, TR 64, bared and tin-plated.
<b>Direction of protection</b>	Clockwise, looking at rotor
<b>Direction of air flow</b>	Inlet over bars
<b>Note</b>	To reach the specified service life, we recommend wiring an external capacitor with 470 µF between the plus and minus strands. Speed control range from 500 rpm to maximum nominal speed. Standstill at 0% PWM, maximum speed at sensor break.
<b>Bearing</b>	Ball bearings
<b>Lifetime L10 at 40 °C</b>	57500 h
<b>Lifetime L10 at maximum temperature</b>	25000 h
<b>Mass</b>	0.425 kg
<b>Housing material</b>	Aluminum with grounding housing for screw M4 x 8 (TORX).
<b>Material of impeller</b>	Fiberglass-reinforced PA plastic
<b>Motor protection</b>	Protected against reverse polarity and locking.
<b>Option</b>	Other inputs and outputs

Product drawing



Charts: Air flow

