

**ebm-papst St. Georgen GmbH & Co. KG**

Hermann-Papst-Straße 1

78112 St. Georgen

Phone: +49 7724 81-0

Fax: +49 7724 81-1309

www.ebmpapst.com

info2@de.ebmpapst.com

Nominal data

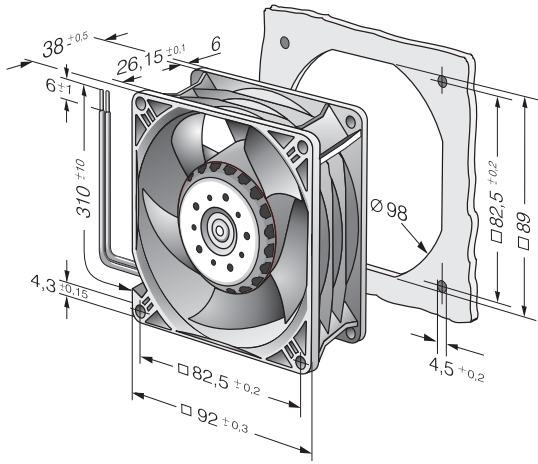
| Type | 3214 JH3 | |
|--------------------------|----------------------|------------|
| Nominal voltage | [VDC] | 24 |
| Nominal voltage range | [VDC] | 12 .. 27.6 |
| Speed | [min ⁻¹] | 11000 |
| Power input | [W] | 30 |
| Min. ambient temperature | [°C] | -20 |
| Max. ambient temperature | [°C] | 70 |
| Air flow | [m ³ /h] | 237 |
| Sound power level | [B] | 7.8 |
| Sound pressure level | [dB(A)] | 69 |

ml = max. load · me = max. efficiency · rfa = running at free air · cs = customer specs · cu = customer unit
Subject to alterations

Technical features

| | |
|--|---|
| Dimensions | 92 x 92 x 38 mm |
| General description | DC fan with electronically commutated external rotor motor. Compact design with high power density. Rigid compression curve at low noise. Innovative impeller design with winglets. |
| Connection line | 2 single strands AWG 24, TR 64 |
| Direction of protection | Right, looking at rotor |
| Direction of air flow | Air exhaust over bars |
| Bearing | Ball bearings |
| Lifetime L10 at 40 °C | 65000 h |
| Lifetime L10 at maximum temperature | 32500 h |
| Mass | 0.280 kg |
| Housing material | Fiberglass-reinforced PBTP plastic |
| Material of impeller | Fiberglass-reinforced PA plastic |
| Motor protection | Electronic reverse-polarity, locked-rotor, and overload protection. |
| Option | Vario-Pro |

Product drawing



Charts: Air flow

