

RL65DC Series

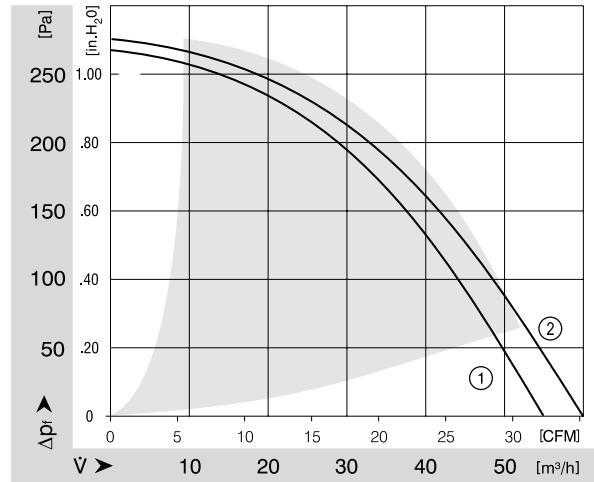
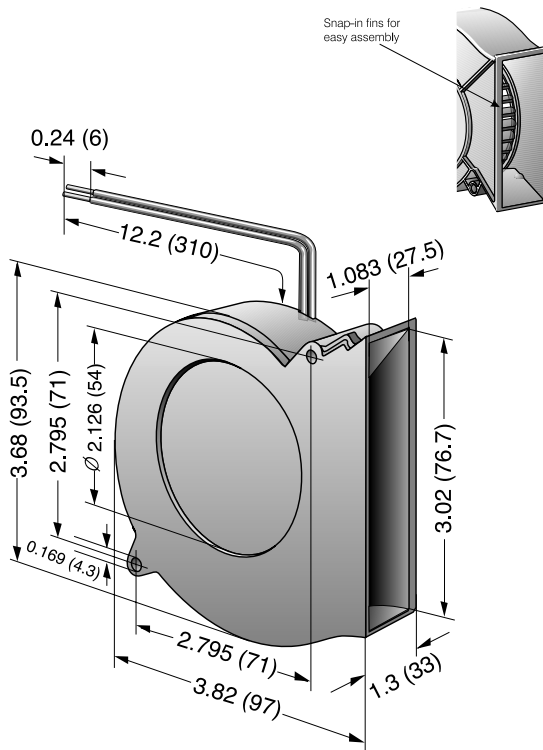
Flatpak

97x93.5x33 mm



- DC radial blower with electronically commutated external rotor motor. Fully integrated commutation electronics.
- With electronic protection against reverse polarity and overloading.
- Spiral housing and blower of fiber-glass reinforced plastic.
- Integrated snap-in fins for easy assembly.
- Electrical connection via 2 leads AWG 22, TR 64. Stripped and tinned ends.
- UL, CSA, VDE approvals on most models, please contact application engineering.

Part Number	Curve	CFM @ 0	VDC	Volt. Range	Power (W)	dBA	Speed (RPM)	Max Amb. Temp C	Bearing Type	Features	Wgt. (lbs)
RL65-21/12	1	32.9	12	6.8 to 13.8	15	62	4500	70	Ball	Leads	0.37
RL65-21/12H	2	35.8	12	6.8 to 13.8	16	69	4900	55	Ball	Leads	0.37
RL65-21/14	1	32.9	24	12 to 26.4	14	62	4500	70	Ball	Leads	0.37
RL65-21/14H	2	35.8	24	12 to 26.4	18	69	4900	60	Ball	Leads	0.37



ebmpapst

e-mail: sales@us.ebmpapst.com · TEL: 860-674-1515 · FAX: 860-674-8536

ebm-papst Inc., 100 Hyde Road, Farmington, CT 06034 USA

ebm-papst Inc., 2006 © ebm-papst Inc. reserves the right to change any specifications or data without notice