

FAL5F (76[□] x 28^L)



EMINEBEA.COM

General Specifications

Allowable Ambient Temperature Range:

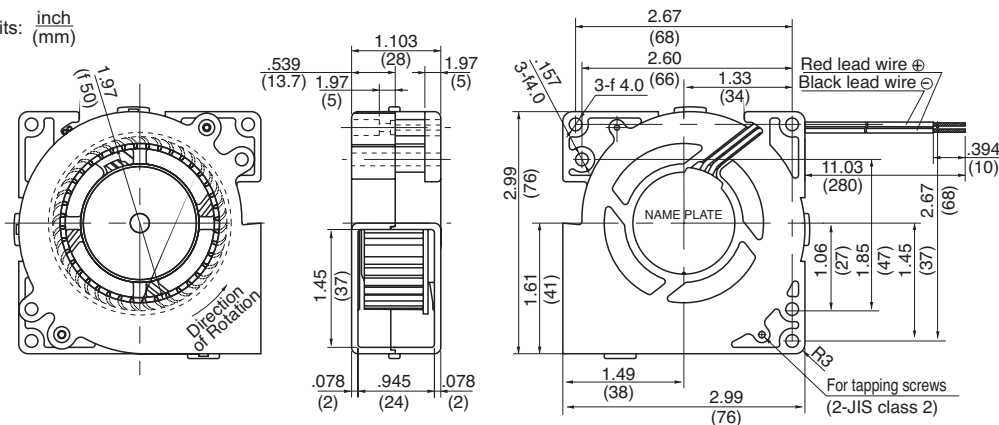
-10°C ~ +60°C (65% RH) (Operating)
 -40°C ~ +75°C (65% RH) (Storage)
 (non-condensing environment)

Expected Life

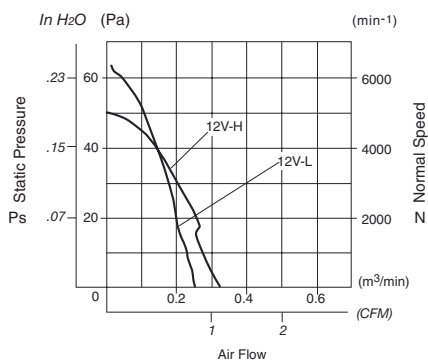
Failure Rate: 10%
 40,000 Hours (25°C, 65%RH)

Outline

Units: $\frac{\text{inch}}{\text{mm}}$



Characteristic Curves



Material

Bearing: Hydro Wave Bearing

Specifications

| MODEL | Rated Voltage | Operating Voltage | Current | Input Power | Rated Speed | Max. Air Flow | | Max. Static Pressure | | Noise | Mass |
|------------|---------------|-------------------|-------------------|-------------------|------------------------------------|-------------------|------------------------|----------------------|--------------------|--------------------|------|
| | (V) | (V) | (A) ^{*1} | (W) ^{*1} | (min ⁻¹) ^{*1} | CFM ^{*1} | (m³/min) ^{*1} | in H ₂ O | (Pa) ^{*1} | (dB) ^{*1} | (g) |
| FAL5F 12LL | 12 | 7.0 ~ 13.8 | 140 | 1.68 | 2400 | 8.83 | 0.25 | .24 | 60.8 | 30.0 | 100 |
| FAL5F 12LH | 12 | 7.0 ~ 13.8 | 200 | 2.40 | 2900 | 10.6 | 0.30 | .39 | 98.0 | 36.0 | 100 |
| FAL5F 24LL | 24 | 14.0 ~ 27.6 | 70 | 1.68 | 2400 | 8.83 | 0.25 | .24 | 60.8 | 30.0 | 100 |
| FAL5F 24LH | 24 | 14.0 ~ 27.6 | 100 | 2.40 | 2900 | 10.6 | 0.30 | .38 | 95.1 | 36.0 | 100 |

Rotation: Clockwise

Airflow Outlet: Air Out Over Struts

*1: Average Values in Free Air