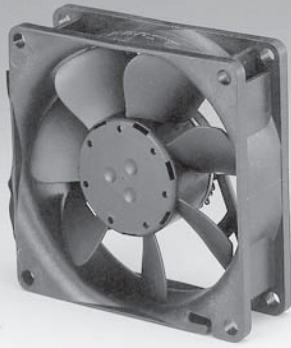


# 8400 Series

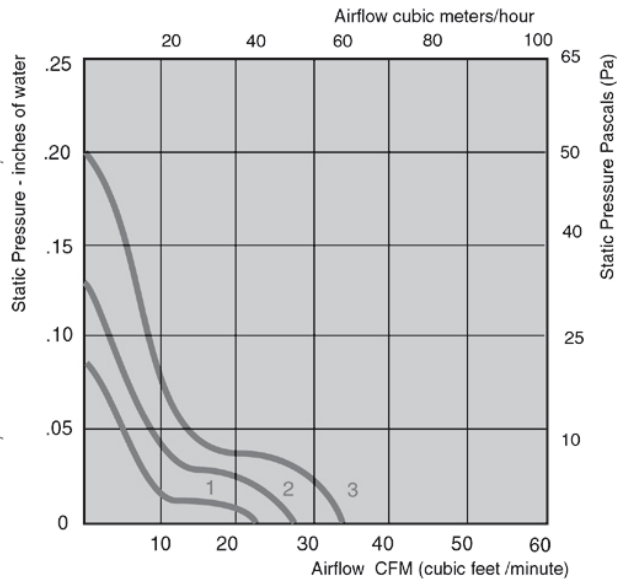
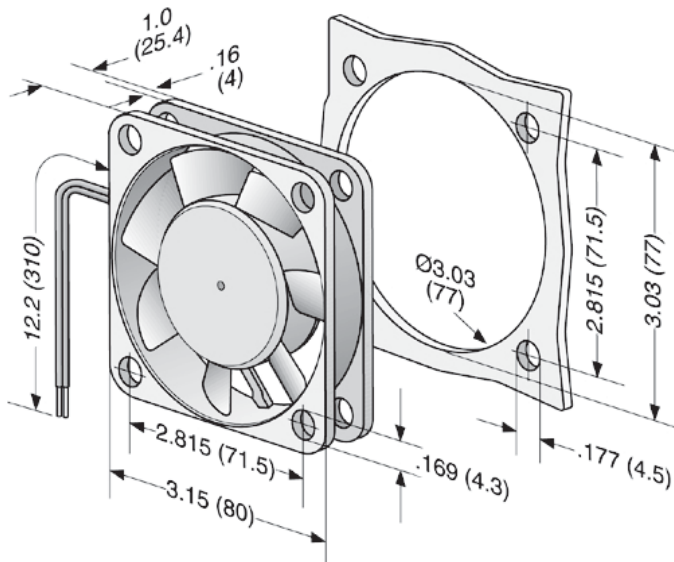
# Tubeaxial

## 80x80x25mm



- DC fans with electronically commutated external rotor motor. Fully integrated commutation electronics.
- With electronic protection against reverse polarity, blocking and overloading; partially impedance protected.
- Mounting from either face using four 4.3 mm holes.
- Fan of fiberglass reinforced plastic. PBTP housing, PA impeller.
- Air exhaust over struts. Rotational direction CCW looking at rotor.
- Electrical connection via 2 leads AWG 24, TR 64. Stripped and tinned ends.
- UL, CSA, VDE approvals on some models, please contact application engineering.

Part Number	Curve	CFM @ 0	VDC	Volt. Range	Power (W)	dBA	Max Amb. Temp C	Bearing Type	Features	Wgt. (lbs)
8412GL	1	21	12	7 to 15	0.8	20	75	Sintec	Leads	0.31
8412L	1	21	12	7 to 15	0.8	21	75	Ball	Leads	0.31
8412GM	2	27	12	7 to 15	1.2	29	75	Sintec	Leads	0.31
8412M	2	27	12	7 to 15	1.4	29	75	Ball	Leads	0.31
8412	3	33	12	7 to 15	2.4	35	75	Ball	Leads	0.31
8412/12	3	33	12	7 to 15	2.4	35	75	Ball	Leads	0.31
8412/2	3	33	12	7 to 15	2.4	35	75	Ball	Leads	0.31
8412G	3	33	12	7 to 15	2.3	35	75	Sintec	Leads	0.31
<hr/>										
8414GL	1	21	24	12 to 28	0.8	20	75	Sintec	Leads	0.31
8414L	1	21	24	12 to 28	0.8	21	75	Ball	Leads	0.31
8414GM	2	27	24	12 to 28	1.2	29	75	Sintec	Leads	0.31
8414M	2	27	24	12 to 28	1.4	29	75	Ball	Leads	0.31
8414	3	33	24	12 to 28	2.4	35	75	Ball	Leads	0.31
8414/2	3	33	24	12 to 28	2.4	35	75	Ball	Leads	0.31
8414G	3	33	24	12 to 28	2.3	35	75	Sintec	Leads	0.31



**ebmpapst**

e-mail: [sales@us.ebmpapst.com](mailto:sales@us.ebmpapst.com) · TEL: 860-674-1515 · FAX: 860-674-8536

ebm-papst Inc., 100 Hyde Road, Farmington, CT 06034 USA

ebm-papst Inc., 2004 © ebm-papst Inc. reserves the right to change any specifications or data without notice