

4712KL (119[□] x 32^L)



EMINEBEA.COM

General Specifications

Motor Protection:

Auto Restart/Polarity Protection

Insulation Resistance: 10M^Ω or over with a DC500V Megger

Dielectric Withstand Voltage: AC 700V 1s

Allowable Ambient Temperature Range:

-10 C ~ +70 C (Operating)

-40 C ~ +70 C (Storage)

(non-condensing environment)

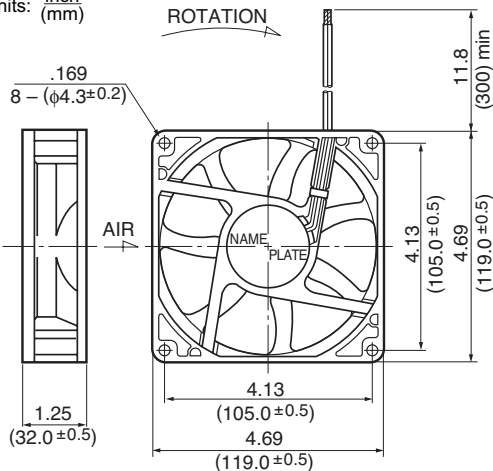
Expected Life

Failure Rate: 10%

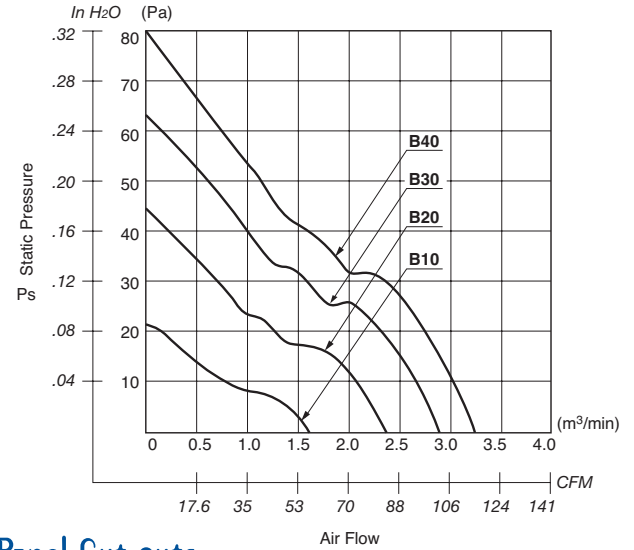
25°C 100,000 Hours (P00)

Outline

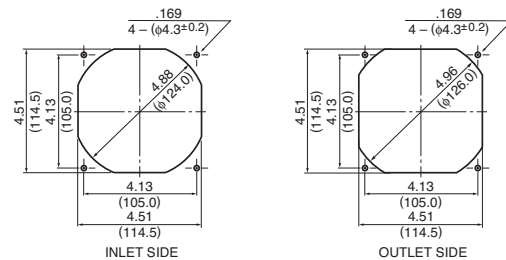
Units: $\frac{\text{inch}}{\text{mm}}$



Characteristic Curves



Panel Cut-outs



Material

Casing : Plastic (Black) 94V-0

Impeller : Plastic (Black) 94V-0

Bearing : Ball Bearing

Lead Wire: UL1007, AWG24, +Red, -Black

Specifications

| MODEL | Product No. | Rated Voltage | Operating Voltage | Current | Input Power | Speed | Max. Air Flow | | Max. Static Pressure | | Noise | Mass |
|-----------------|-------------|---------------|-------------------|-------------------|-------------------|------------------------------------|-------------------|-------------------------------------|----------------------|--------------------|--------------------|------|
| | | (V) | (V) | (A) ^{*1} | (W) ^{*1} | (min ⁻¹) ^{*1} | CFM ^{*1} | (m ³ /min) ^{*1} | in H ₂ O | (Pa) ^{*1} | (dB) ^{*1} | (g) |
| 4712KL-04W-B10- | X00 | 12 | 6.0 ~ 13.8 | 0.16 | 1.92 | 1600 | 56.1 | 1.59 | .09 | 22.0 | 29.0 | 240 |
| 4712KL-04W-B20- | X00 | 12 | 6.0 ~ 13.8 | 0.32 | 3.84 | 2300 | 82.2 | 2.33 | .17 | 42.0 | 39.0 | 240 |
| 4712KL-04W-B30- | X00 | 12 | 6.0 ~ 13.8 | 0.48 | 5.76 | 2800 | 99.9 | 2.83 | .24 | 60.0 | 44.0 | 240 |
| 4712KL-04W-B40- | X00 | 12 | 6.0 ~ 13.8 | 0.69 | 8.28 | 3100 | 112.0 | 3.17 | .33 | 82.0 | 47.0 | 240 |
| 4712KL-05W-B10- | X00 | 24 | 12.0 ~ 27.6 | 0.09 | 2.16 | 1600 | 56.1 | 1.59 | .09 | 22.0 | 29.0 | 240 |
| 4712KL-05W-B20- | X00 | 24 | 12.0 ~ 27.6 | 0.17 | 4.08 | 2300 | 82.2 | 2.33 | .17 | 42.0 | 39.0 | 240 |
| 4712KL-05W-B30- | X00 | 24 | 12.0 ~ 27.6 | 0.28 | 6.72 | 2800 | 99.9 | 2.83 | .24 | 60.0 | 44.0 | 240 |
| 4712KL-05W-B40- | X00 | 24 | 12.0 ~ 27.6 | 0.34 | 8.16 | 3100 | 112.0 | 3.17 | .33 | 82.0 | 47.0 | 240 |
| 4712KL-07W-B10- | X00 | 48 | 28.0 ~ 55.2 | 0.07 | 3.36 | 1600 | 56.1 | 1.59 | .09 | 22.0 | 29.0 | 240 |
| 4712KL-07W-B20- | X00 | 48 | 28.0 ~ 55.2 | 0.11 | 5.28 | 2300 | 82.2 | 2.33 | .17 | 42.0 | 39.0 | 240 |
| 4712KL-07W-B30- | X00 | 48 | 28.0 ~ 55.2 | 0.16 | 7.68 | 2800 | 99.9 | 2.83 | .24 | 60.0 | 44.0 | 240 |
| 4712KL-07W-B40- | X00 | 48 | 28.0 ~ 55.2 | 0.21 | 10.08 | 3100 | 112.0 | 3.17 | .33 | 82.0 | 47.0 | 240 |

Rotation: Clockwise

Airflow Outlet: Air Out Over Struts

*1: Average Values in Free Air