



# FAL3F (50<sup>□</sup> x 20<sup>L</sup>)



EMINEBEA.COM

## General Specifications

### Allowable Ambient Temperature Range:

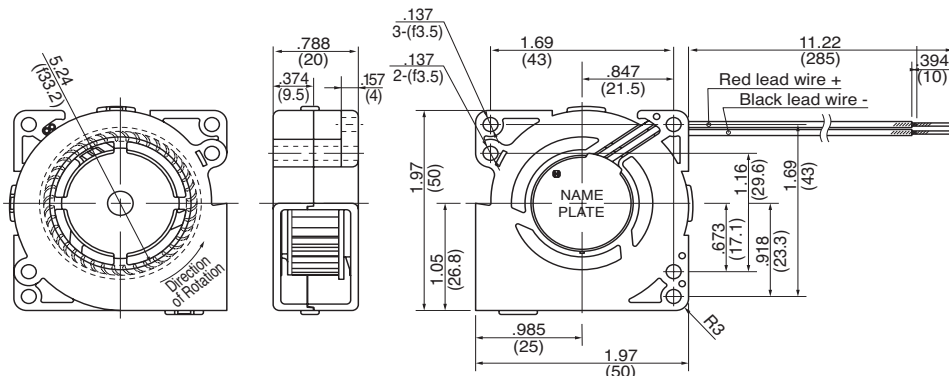
- 10°C ~ +60°C (65%RH) (Operating)
- 40°C ~ +75°C (65%RH) (Storage)
- (non-condensing environment)

## Expected Life

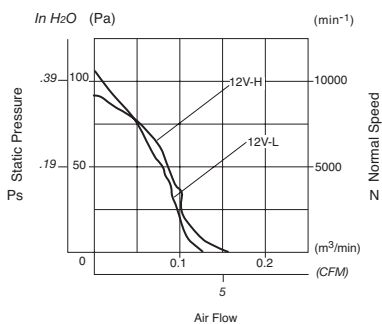
Failure Rate: 10%  
20,000 Hours (25°C, 65%RH)

## Outline

Units:  $\frac{\text{inch}}{\text{mm}}$



## Characteristic Curves



## Material

Bearing: Ball Bearing

## Specifications

MODEL	Rated Voltage	Operating Voltage	Current	Input Power	Rated Speed	Max. Air Flow		Max. Static Pressure		Noise	Mass
	(V)	(V)	(A) <sup>*1</sup>	(W) <sup>*1</sup>	(min <sup>-1</sup> ) <sup>*1</sup>	CFM <sup>*1</sup>	(m <sup>3</sup> /min) <sup>*1</sup>	in H <sub>2</sub> O	(Pa) <sup>*1</sup>	(dB) <sup>*1</sup>	(g)
FAL3F 05LL	5	4.5 ~ 6.0	205	1.64	4400	3.95	0.11	.31	79.4	28.5	40
FAL3F 05LH	5	4.5 ~ 6.0	380	1.90	5400	4.94	0.14	.60	151.0	36.0	40
FAL3F 12LL	12	7.0 ~ 13.8	111	1.33	4400	3.95	0.11	.31	79.4	28.5	40
FAL3F 12LH	12	7.0 ~ 13.8	185	2.22	5200	4.87	0.13	.60	151.0	35.0	40
FAL3F 24LH	24	12.0 ~ 27.6	105	2.52	5200	4.87	0.13	.60	151.0	35.0	40

Rotation: Clockwise

Airflow Outlet: Air Out Over Struts

\*1: Average Values in Free Air

DC Axial Fans