



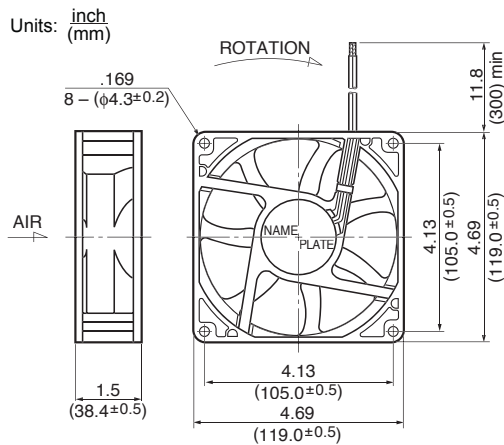
General Specifications

- Motor Protection:**
Auto Restart/Polarity Protection
- Insulation Resistance:** 10M Ω or over with a DC500V Megger
- Dielectric Withstand Voltage:** AC 700V 1s
- Allowable Ambient Temperature Range:**
 - B50 Class: -10°C ~ +40°C (Operating)
 - B10~B40 Class: -10°C ~ +70°C (Operating)
 - B10~B40 Class: -40°C ~ +70°C (Storage)
 - B50 Class: -40°C ~ +60°C (Storage)
(non-condensing environment)

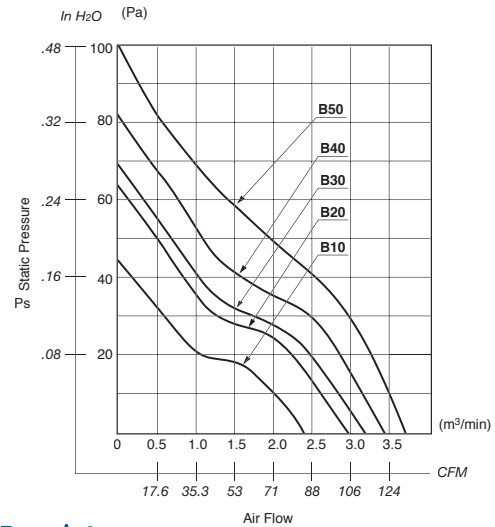
Expected Life

Failure Rate: 10%
25°C 50,000 Hours

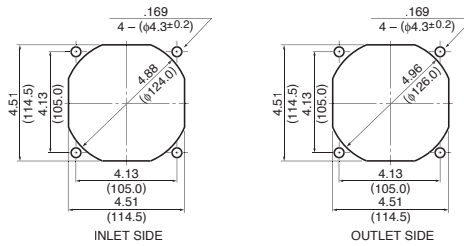
Outline



Characteristic Curves



Panel Cut-outs



Material

- Casing : Plastic (Black) 94V-0
- Impeller : Plastic (Black) 94V-0
- Bearing : Ball Bearing
- Lead Wire: UL1007, AWG24, +Red, -Black

Specifications

MODEL	Product No.	Rated Voltage	Operating Voltage	Current	Input Power	Speed	Max. Air Flow		Max. Static Pressure		Noise	Mass
		(V)	(V)	(A)*1	(W)*1	(min ⁻¹)*1	CFM*1	(m ³ /min)*1	in H ₂ O	(Pa)*1	(dB)*1	(g)
4715KL-04W-B10-	X00	12	6.0 ~ 13.8	0.27	3.24	2300	83.6	2.37	.17	44.1	37.0	260
4715KL-04W-B20-	X00	12	6.0 ~ 13.8	0.40	4.80	2650	97.0	2.75	.22	55.9	41.0	260
4715KL-04W-B30-	X00	12	6.0 ~ 13.8	0.55	6.60	2950	108.0	3.07	.27	68.2	42.5	260
4715KL-04W-B40-	X00	12	6.0 ~ 13.8	0.70	8.40	3200	118.0	3.34	.33	81.4	46.5	260
4715KL-04W-B50-	X00	12	9.5 ~ 12.6	1.00	12.00	3600	129.9	3.68	.44	110.0	50.0	260
4715KL-05W-B10-	X00	24	10.0 ~ 27.6	0.15	3.60	2300	83.6	2.37	.17	44.1	37.0	260
4715KL-05W-B20-	X00	24	10.0 ~ 27.6	0.21	5.04	2650	97.0	2.75	.22	55.9	41.0	260
4715KL-05W-B30-	X00	24	10.0 ~ 27.6	0.31	7.44	2950	108.0	3.07	.27	68.2	42.5	260
4715KL-05W-B40-	X00	24	10.0 ~ 27.6	0.35	8.40	3200	118.0	3.34	.33	81.4	46.5	260
4715KL-05W-B50-	X00	24	18.0 ~ 25.0	0.50	12.00	3600	130.0	3.68	.44	110.0	50.0	260
4715KL-07W-B10-	X00	48	25.0 ~ 55.2	0.08	3.84	2300	83.6	2.37	.17	44.1	37.0	260
4715KL-07W-B20-	X00	48	25.0 ~ 55.2	0.11	5.28	2650	97.0	2.75	.22	55.9	41.0	260
4715KL-07W-B30-	X00	48	25.0 ~ 55.2	0.16	7.68	2950	108.0	3.07	.27	68.2	42.5	260
4715KL-07W-B40-	X00	48	25.0 ~ 55.2	0.20	9.60	3200	118.0	3.34	.33	81.4	46.5	260

Rotation: Clockwise

Airflow Outlet: Air Out Over Struts

*1: Average Values in Free Air