



# 3106KL (80<sup>□</sup> x 15<sup>L</sup>)



EMINEBEA.COM

DC Axial Fans

## General Specifications

### Motor Protection:

Auto Restart/Polarity Protection

**Insulation Resistance:** 10M<sup>Ω</sup> or over with a DC500V Megger

**Dielectric Withstand Voltage:** AC 700V 1s

### Allowable Ambient Temperature Range:

B50 Class: -10 C ~ +50 C (Operating)

B30, B40 Class: -10 C ~ +60 C (Operating)

All Class: -40 C ~ +70 C (Storage)  
(non-condensing environment)

## Expected Life

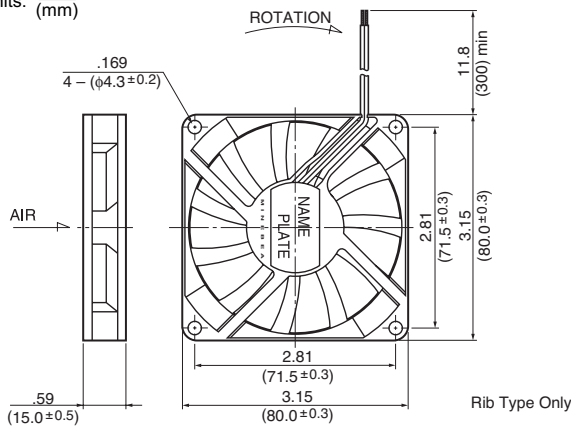
### Failure Rate: 10%

25°C 70,000 Hours (B00)

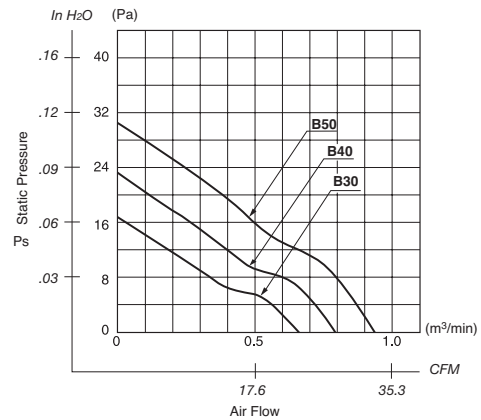
25°C 60,000 Hours (C00)

## Outline

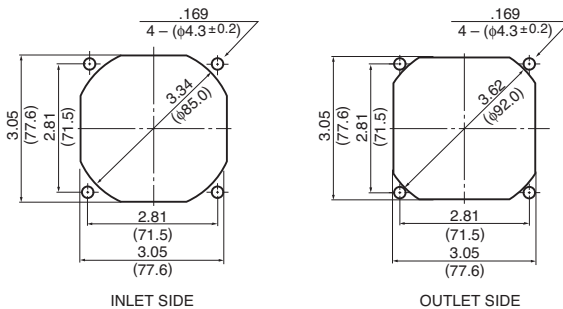
Units:  $\frac{\text{inch}}{\text{mm}}$



## Characteristic Curves



## Panel Cut-outs



## Material

- Casing : Plastic (Black) 94V-0
- Impeller : Plastic (Black) 94V-0
- Bearing : Ball Bearing
- Lead Wire: UL1007, AWG26, +Red, -Black

## Specifications

MODEL	Product No.	Rated Voltage	Operating Voltage	Current	Input Power	Speed	Max. Air Flow		Max. Static Pressure		Noise	Mass
		(V)	(V)	(A) <sup>*1</sup>	(W) <sup>*1</sup>	(min <sup>-1</sup> ) <sup>*1</sup>	CFM <sup>*1</sup>	(m <sup>3</sup> /min) <sup>*1</sup>	in H <sub>2</sub> O	(Pa) <sup>*1</sup>	(dB) <sup>*1</sup>	(g)
3106KL-04W-B30-	X00	12	6.0 ~ 13.8	0.11	1.32	2200	23.3	0.66	0.06	16.0	26.0	50
3106KL-04W-B40-	X00	12	6.0 ~ 13.8	0.17	2.04	2600	28.2	0.80	0.09	22.5	30.0	50
3106KL-04W-B50-	X00	12	6.0 ~ 13.0	0.23	2.76	3000	32.8	0.93	0.12	30.0	34.0	50

Rotation: Clockwise

Airflow Outlet: Air Out Over Struts

\*1: Average Values in Free Air