



General Specifications

Motor Protection:

Auto Restart/Polarity Protection

Insulation Resistance: 10M Ω or over with a DC500V Megger

Dielectric Withstand Voltage: AC 700V 1s

Allowable Ambient Temperature Range:

-10°C ~ +70°C (Operating)

-40°C ~ +70°C (Storage)

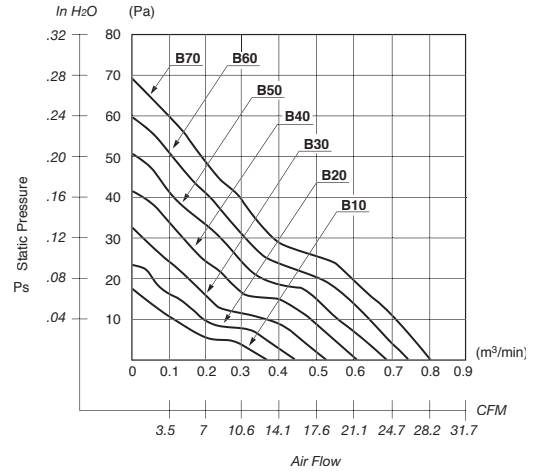
(non-condensing environment)

Expected Life

Failure Rate: 10%

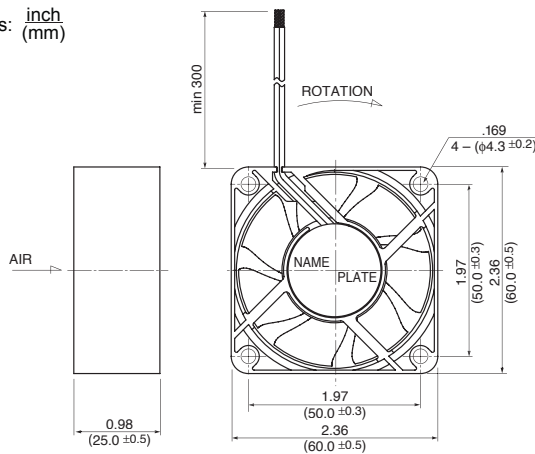
25°C 40,000 Hours (C00)

Characteristic Curves

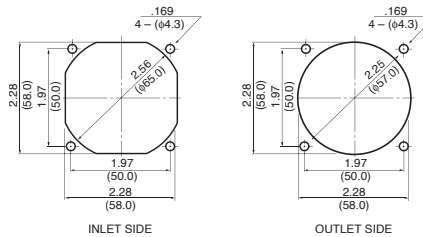


Outline

Units: $\frac{\text{inch}}{\text{mm}}$



Panel Cut-outs



Material

Casing : Plastic (Black) 94V-0

Impeller : Plastic (Black) 94V-0

Bearing : Ball Bearing

Lead Wire : UL1007, AWG24, +Red, -Black

Specifications

MODEL	Product No.	Rated Voltage	Operating Voltage	Current	Input Power	Speed	Max. Air Flow		Max. Static Pressure		Noise	Mass
		(V)	(V)	(A) ^{*1}	(W) ^{*1}	(min ⁻¹) ^{*1}	CFM ^{*1}	(m ³ /min) ^{*1}	in H ₂ O	(Pa) ^{*1}	(dB) ^{*1}	(g)
2410RL-04W-B10-	X00	12	6.0 ~ 13.8	0.05	0.60	2550	13.0	0.37	.06	17.2	19.0	65
2410RL-04W-B20-	X00	12	6.0 ~ 13.8	0.08	0.96	3000	15.5	0.44	.09	23.4	22.5	65
2410RL-04W-B30-	X00	12	6.0 ~ 13.8	0.10	1.20	3550	18.3	0.52	.13	32.3	27.0	65
2410RL-04W-B40-	X00	12	6.0 ~ 13.8	0.12	1.56	4050	21.5	0.61	.17	41.7	30.5	65
2410RL-04W-B50-	X00	12	6.0 ~ 13.8	0.15	1.80	4500	24.0	0.68	.20	51.3	33.5	65
2410RL-04W-B60-	X00	12	6.0 ~ 13.8	0.20	2.40	4900	26.4	0.75	.24	60.3	36.5	65
2410RL-04W-B70-	X00	12	6.0 ~ 13.8	0.27	3.24	5300	28.5	0.81	.27	69.1	38.0	65
2410RL-05W-B10-	X00	24	15.0 ~ 27.6	0.04	0.96	2550	13.0	0.37	.06	17.2	19.0	65
2410RL-05W-B20-	X00	24	15.0 ~ 27.6	0.05	1.20	3000	15.5	0.44	.09	23.4	22.5	65
2410RL-05W-B30-	X00	24	15.0 ~ 27.6	0.07	1.68	3550	18.3	0.52	.13	32.3	27.0	65
2410RL-05W-B40-	X00	24	15.0 ~ 27.6	0.08	1.92	4050	21.5	0.61	.17	41.7	30.5	65
2410RL-05W-B50-	X00	24	10.0 ~ 27.6	0.08	1.92	4500	24.0	0.68	.20	51.3	33.5	65
2410RL-05W-B60-	X00	24	10.0 ~ 27.6	0.09	2.16	4900	26.4	0.75	.24	60.3	36.5	65
2410RL-05W-B70-	X00	24	10.0 ~ 27.6	0.10	2.40	5300	28.5	0.81	.27	69.1	38.0	65

Rotation: Clockwise

Airflow Outlet: Air Out Over Struts

*1: Average Values in Free Air