



SUNON

SPECIFICATION FOR APPROVAL

CUSTOMER :

DESCRIPTION : AXIAL AC FAN

DIMENSIONS : 120X120X38 mm

MODEL : SP103A

P/N : 1123LBT

APPROVED NO :

APPROVED BY :
(AUTHORIZED)



DAWN.		CHKD.		APPD.		SPEC. NO.	273218300
						ISSUE DATE	08.26.1996
						EDITION	0
						REVISE DATE	
建準電機工業股份有限公司 SUNONWEALTH ELECTRIC MACHINE INDUSTRY CO., LTD. 12FL., 120 CHUNG CHENG 1ST RD., TEL:886-7-7163069(41 LINES) KAOHSIUNG, TAIWAN, R. O. C. FAX:886-7-7163086~89							

AXIAL AC FAN

MODEL : SP103A

P/N : 1123LBT

CHARACTERISTICS

- 1. Motor Design : **Reliable Shaded-Pole Motor Construction.**
- 2. Insulation Resistance : **500 Megohms minimum at 500 VDC.**
- 3. Dielectric Strength : **1500 VAC for one minute.**
- 4. Motor Protection : **Impedence protected.**
- 5. Noise Level : **Measured in an semi-anechoic chamber with background noise level below 15 dBA. The fan is running in free air with microphone at a distance of one meter from the fan intake.**
- 6. Air Performance : **Measured by a double chamber. The value are recorded when the fan speed is stabilized at rated voltage.**
- 7. Tolerances : **±15% on rated power and current.**



建準電機工業股份有限公司 SUNONWEALTH ELECTRIC MACHINE INDUSTRY CO., LTD.	SPEC. NO.	273218300	REVISE DATE	
	ISSUE DATE	08. 26. 1996	EDITION	0
	PAGE	2 OF 6		

SPECIFICATIONS

MODEL: SP103A

P/N : 1123LBT

- 1-1. Rated Voltage : 115/115 VAC 50/60 HZ
- 1-2. Operating Voltage Range : 85-125 VAC
- 1-3. Starting Voltage : 85 VDC
- 1-4. Rated Speed : 2150/2300 RPM \pm 10%
- 1-5. Air Delivery : 72/78 CFM
- 1-6. Static Pressure : 0.09/0.13 Inch-H₂O
- 1-7. Rated Current : 0.13/0.11 AMP
- 1-8. Input Power : 11/11 WATTS
- 1-9. Noise Level : 37/39 dB(A)
- 1-10. Direction of Rotation : Clockwies viewed from front face
- 1-11. Motor Protection : Impredance Protected
- 1-12. Operating Temperature : -10 to +70 Deg.C
- 1-13. Storage Temperature : -40 to +70 Deg.C
- 1-14. Bearing System : Precise ball bearing system
- 1-15. Weight : 550 g
- 1-16. Safety : UL/CSA Approvals



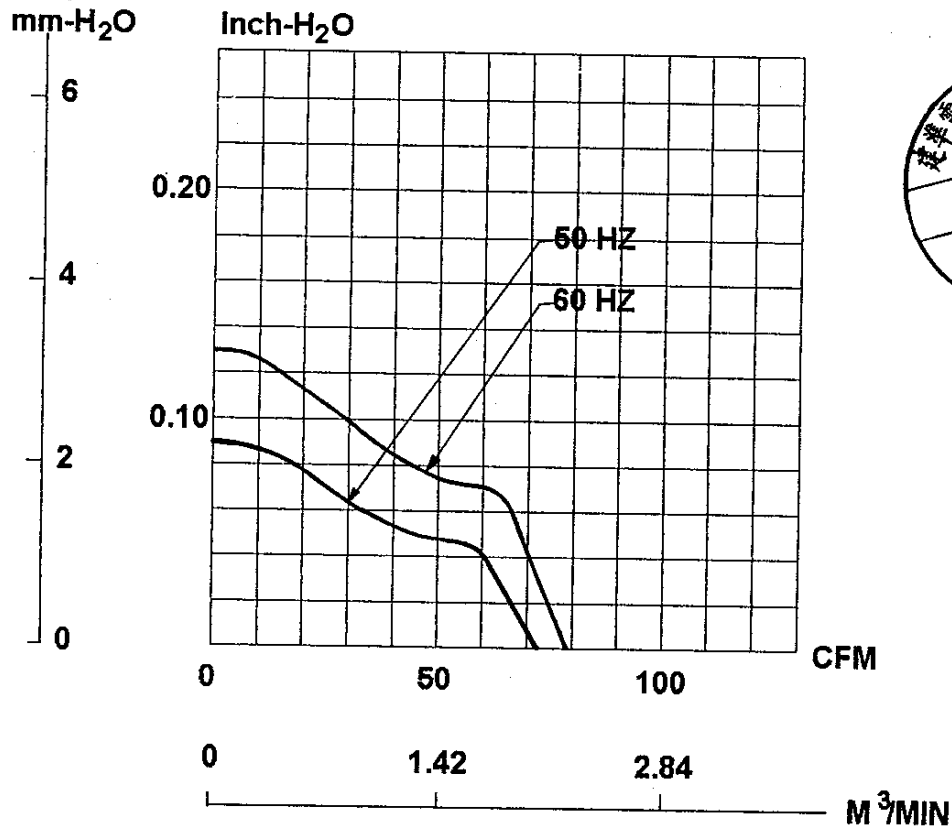
建準電機工業股份有限公司 SUNONWEALTH ELECTRIC MACHINE INDUSTRY CO., LTD.	SPEC. NO.	273218300	REVISE DATE	
	ISSUE DATE	08. 26. 1996	EDITION	0
	PAGE	3 OF 6		

MODEL: SP103A

P/N : 1123LBT

PERFORMANCE CURVES

STATIC
PRESSURE



建準電機工業股份有限公司 SUNONWEALTH ELECTRIC MACHINE INDUSTRY CO., LTD.	SPEC. NO.	273218300	REVISE DATE	
	ISSUE DATE	08. 26. 1996	EDITION	0
	PAGE	4 OF 6		

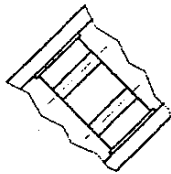
MATERIAL

2. Material

2-1. Frame : Thermoplastic PBT of UL 94V-0

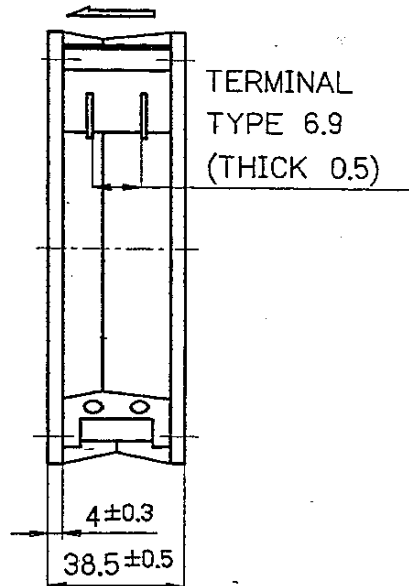
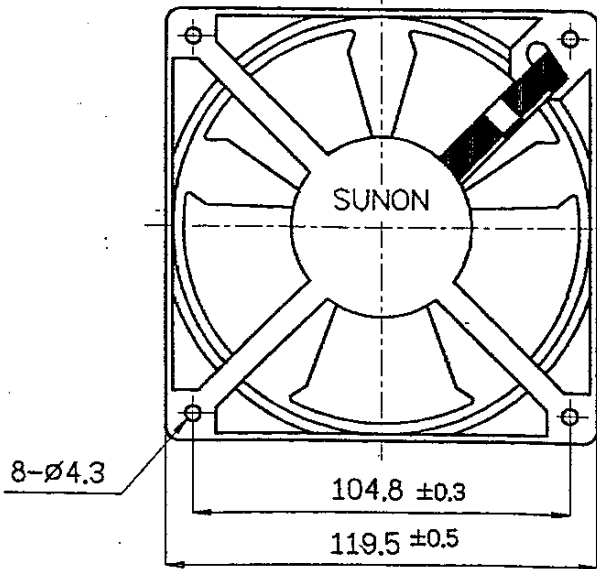
2-2. Impeller : Thermoplastic PBT of UL 94V-0

DIMENSIONS



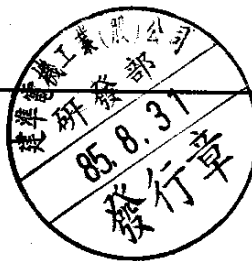
ROTATION

AIR FLOW



UNIT : mm

建準電機工業股份有限公司 SUNONWEALTH ELECTRIC MACHINE INDUSTRY CO., LTD.	SPEC. NO.	273218300	REVISE DATE	
	ISSUE DATE	08. 26. 1996	EDITION	0
	PAGE	5 OF 6		



Notes

1. SUNON will not guarantee the products if the application of our products is exceeded the limitation which is specified on this specification.
2. In case of change of the specification specified on this document, a written notice is requested in advance.
3. Please do not touch the impeller with pressure and never bring the fan with lead wire. The bearings and lead wire may be damaged.
4. No guarantee on the products against the safety problem or failure caused by powder dust, drop of water or insect.
5. If there is any data or related documentation different from this data sheet, this data sheet is the principal reference.
6. For the purpose of MIS, please indicate SPEC No. on every order.
7. In case of the fan has no polarity protection function, wires with same color (electrode) must be connected together during the assembly. (i.e. red+red, black+black) or the fan will be damaged immediately.
8. Please do not use the fan in the environment of corrosive gas or liquid or any detrimental gas.
9. Please do not store the fan in the environment of high / low temperature, high humidity or any detrimental gas. Please store the fan within 6 months, every 6 months, there shall be a linkage of electric current to the fan, even though the fan is stored in room temperature.
10. While the fan is in operation, please do not lock the fan intentionally for a long period of time, since the continuous stoppage will result in over-heat and thus burn-out of the fan.
11. During the installation of the fan, please pay substantial attention to possible noise cause by resonance vibration and vibration.

建準電機工業股份有限公司 SUNONWEALTH ELECTRIC MACHINE INDUSTRY CO., LTD	SPEC. NO.	273218300	REVISE DATE	
	ISSUE DATE	08. 26. 1996	EDITION	0
	PAGE	6 OF 6		