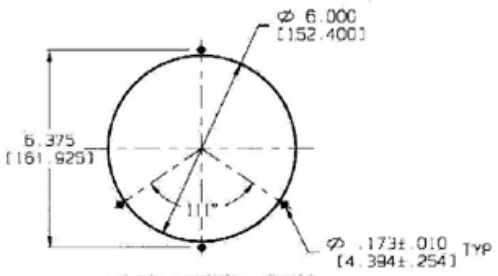


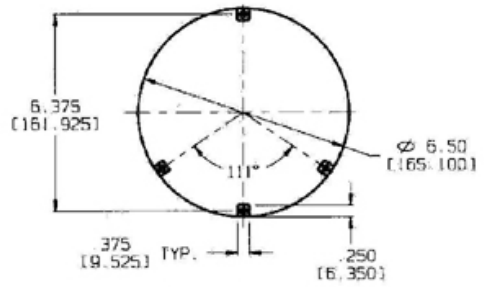
2 SOLDER TERMINALS
 .33 LONG
 [8.4]
 120±.002 WIDE
 [3.05±.05]
 .020±.001 THICK
 [0.51±.03]
 (WILL FIT PLUG AND CORD
 #550440 AND #420856
 OR AMP SERIES 110 TERMINALS)

10-32-UNF-2B
 $\varnothing \frac{0.19}{4.8}$ MIN.
 FULL THREAD DEPTH

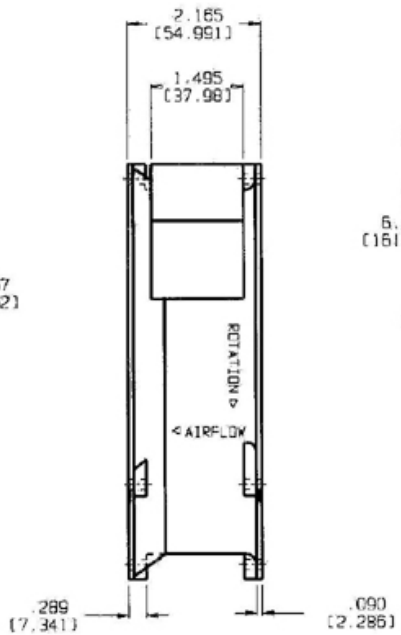
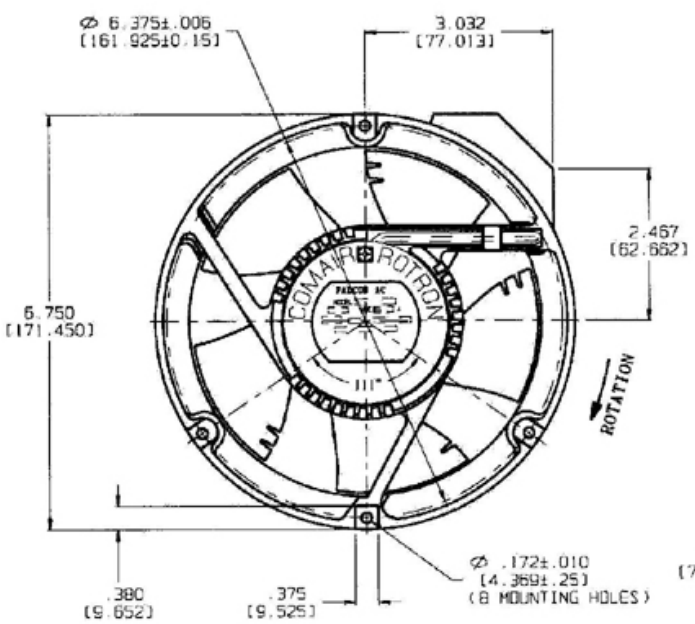
RECOMMENDED CUTOUTS



INLET (PROP) SIDE



EXHAUST (STRUT) SIDE



DIMENSIONS: $\frac{10}{100} \pm$
 TOLERANCES: .XX = $\frac{03}{100}$
 .XXX = $\frac{010}{100}$
 ANGULAR $\pm 5^\circ$
 (UNLESS NOTED)