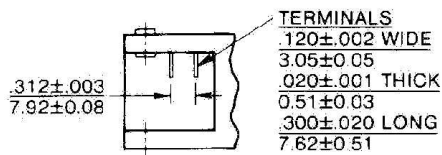
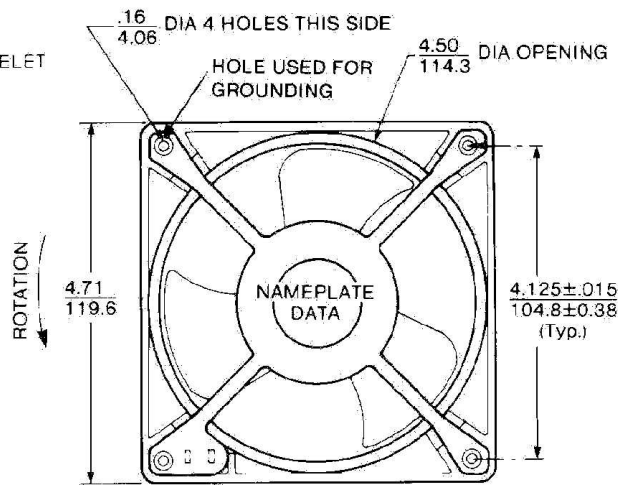
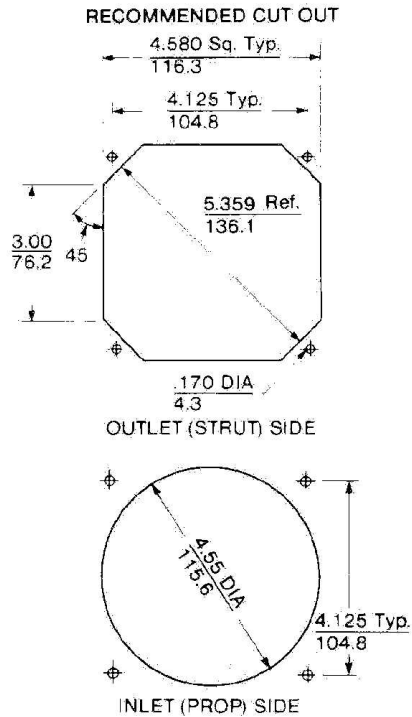


WILL ACCOMMODATE
 477663 (FLUSH) OR 477670
 (STANDOFF) MOUNTING CLIPS
 WITH #6-32 MACHINE SCREW



(WILL FIT PLUG AND
 CORD ASSEMBLY #428056)



DIMENSIONS: $\frac{\text{in}}{\text{mm}} \pm$ TOLERANCES: .xx= $\frac{.03}{0.8}$.xxx= $\frac{.010}{.25}$ (UNLESS NOTED)

Specifications subject to change without notice.