

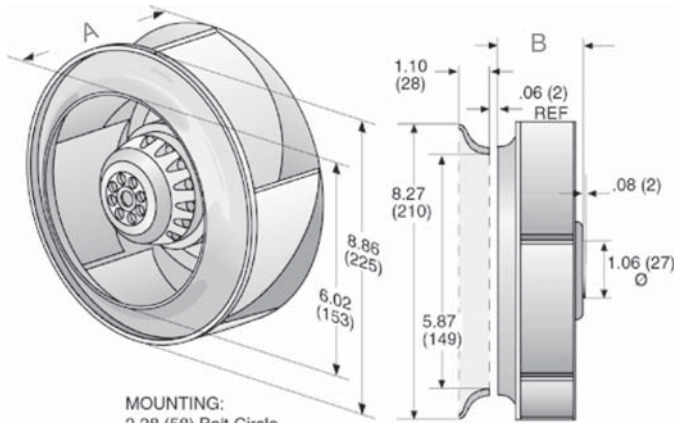
R4E225 Series Motorized Impeller

Ø 225mm Backward Curved



- Backward curved centrifugal fans feature extremely long blades. These impellers are highly resistant to dirt and dust. Their hydraulic efficiency is very high.
- Impeller completely made of plastic PA 6.
- Maintenance-free ball bearings.
- Insulation class "B". Cable exit: variable. Direction of rotation is CW as seen from intake side.
- UL, CSA, VDE approvals on some models, please contact application engineering.
- Recommended inlet ring:
R4E225-AC/AI = 9607-2-4013
R4E225-AR = 9597-2-4013

Part Number	Curve	CFM @ 0	VAC	Hertz	Power (W)	dBA	Max Amb. Temp. C	Bearing Type	Features	Capacitor (µF)	Wgt. (lbs)
R4E225-AC15-18	2	410	115	60	63	54	75	Ball	Leads	6	4.00
R4E225-AR15-09	3	468	115	60	50	58	70	Ball	Leads	5	4.19
R4E225-AI01-10	1	310	230	50/60	45	62	75	Ball	Leads	-	3.50
R4E225-AR01-05	3	440	230	50/60	41	59	80	Ball	Leads	1.5	4.19



Type	A	B
R4E225-AC/AI	24.9 (63.3)	2.72 (69)
R4E225-AR	3.48 (88.3)	3.90 (99)

