

FC040 Series

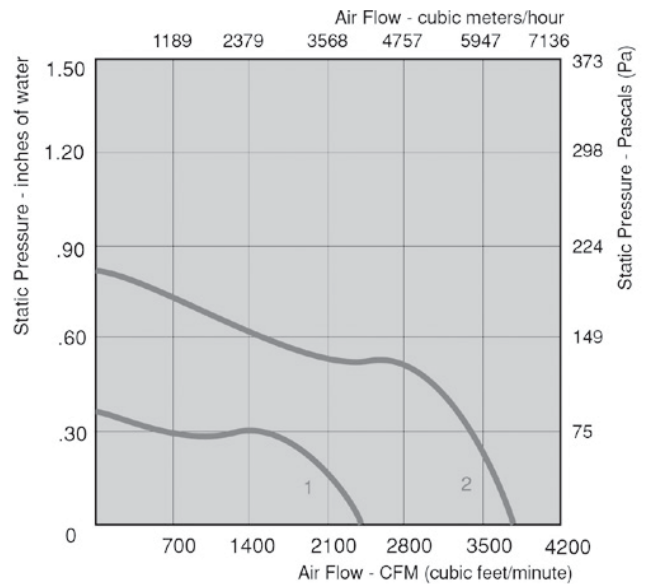
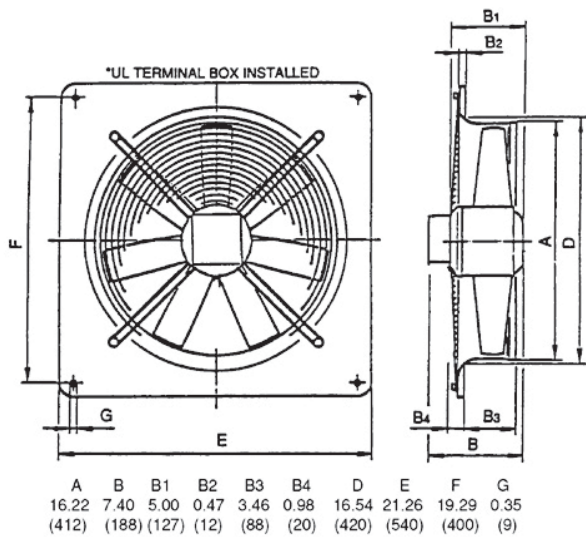
Axial

Ø 412mm

- AC fans with external rotor motor. Blades permanently attached to the motor for optimum motor cooling and reliable long life operation.
- Cast aluminum blades, formed steel housing.
- Square mounting plate using four 9 mm holes. Ready to install.
- Electrical connection via cable or terminal box. Capacitor included.
- UL, CSA, VDE approvals on some models, please contact application engineering.



Part Number	Curve	CFM @ 0	VAC	Hertz	Power (W)	dBA	Max Amb. Temp C	Bearing Type	Features	Capacitor (µF)	Grill Position	Wgt. (lbs)
FC040-6/202545	1	2460	115	50/60	180	66	50	Ball	Leads	12	Intake	20.0
FC040-4/202954	2	3830	115	60	360	75	40	Ball	Leads	25	Intake	20.0
FC040-6/105121	1	2460	230	50/60	180	66	50	Ball	Leads	4	Intake	20.0
FC040-4/202956	2	3830	230	60	370	75	40	Ball	Leads	6	Intake	20.0



ebmpapst

e-mail: sales@us.ebmpapst.com - TEL: 860-674-1515 - FAX: 860-674-8536

ebm-papst Inc., 100 Hyde Road, Farmington, CT 06034 USA

ebm-papst Inc., 2004 © ebm-papst Inc. reserves the right to change any specifications or data without notice